

# AROMA<sup>®</sup>

## **2-in-1 Toaster Oven, and 2-Slice Toaster**



## **Instruction Manual**

*Model: ABT-218SB*

Congratulations on your purchase of Aroma 2-in-1  
Toaster and Toaster Oven. We hope that you will enjoy it.

Please read all instructions before your first use.



Published By:

Aroma Housewares Co.  
6469 Flanders Drive  
San Diego, CA 92121  
U. S. A.  
1-800-276-6286  
[www.aromaco.com](http://www.aromaco.com)

© 2002 Aroma Housewares Company

# IMPORTANT SAFEGUARDS

1. **Important:** Read all instructions carefully before using.
2. Do not touch hot surfaces. Use handles or knobs.
3. To protect against electrical shock, do not immerse cord, plug or the appliance itself in water or other liquid.
4. Close supervision is necessary when the appliance is used near children.
5. Prior to plugging appliance into the wall outlet, ensure all control switches are set to the "OFF" position. To disconnect, turn all control switches to "OFF" position, hold the plug, and then remove it from wall outlet.
6. Unplug from outlet when not in use and before cleaning. Allow unit to cool before putting on or taking off parts, and before cleaning the appliance.
7. Do not operate any appliance with a damaged cord or plug or after the appliance malfunctions or has been damaged in any manner. Return appliance to the nearest authorized service facility for examination, repair or adjustment.
8. Using attachments or accessories other than those supplied by the manufacturer can create a HAZARD. **DO NOT** use incompatible parts.
9. Do not use outdoors.
10. Do not let cord hang over edge of table or counter, or touch hot surfaces.
11. Do not place on or near a hot burner or in a heated oven.
12. Extreme caution must be taken when removing the multi-purpose pan and disposing hot grease or other hot liquid.
13. Do not use the appliance for other than intended use.
14. Do not clean with metal scouring pads. Pieces can break off the pad and touch electrical parts, creating a risk of electric shock.
15. When in use, keep oven a minimum of 10-12 inches away from walls & clear on top. Place on a stable, heat-resistant surface and in a well-ventilated area. Place the appliance on a dry and horizontal surface.
16. A fire may occur if the oven is covered or touching flammable material, such as curtains, draperies, walls, and the like when in operation. Do not store any items on top of the appliance when in use.

17. Do not place any of the following or similar materials in or on the oven: such as: paper, cardboard, plastic, etc.
18. The oven becomes very hot when in use. (glass door, top, back, and side of the oven). Be sure to use handles and wear oven mitts or gloves.
19. Oversize foods or metal utensils must not be inserted in a toaster-oven as they may create a fire or risk of electric shock. Extreme caution should be exercised when using containers constructed of other than metal or glass.
20. Do not store any materials, other than manufacturers recommended accessories, in this oven when not in use.
21. Do not cover crumb tray or any part of the oven with metal foil. This will cause overheating of the oven.
22. Do not attempt to dislodge food when toaster is plugged in.
23. Always pull the plug out from the wall outlet. Never pull the cord.
24. Electric Power: If the electric circuit is overloaded with other appliances, this appliance may not operate properly. The appliance should be operated on a separate electrical circuit from other operating appliances.
25. All containers placed inside the oven must not be airtight. Also, they should need to have enough room to allow for expansion of fluid.
26. Clean the appliance and the crumb tray regularly as built-up of grease may cause fire.
27. Stale toast, croutons, and crackers may catch fire inside the appliance. Watch the toasting process carefully. We suggest your select light setting for these types of food.
28. Use a soapy damp cloth to clean the glass door of the oven.
29. ALWAYS ALLOW THE APPLIANCE TO COOL BEFORE CLEANING.
30. To turn OFF the toaster: Push "Stop" button to cancel and turn off the toaster; To turn OFF the toaster oven: Turn "Timer" to OFF position.

**SAVE THESE INSTRUCTIONS**

## SHORT CORD INSTRUCTION

1. A short power-supply cord is provided to reduce risks resulting from becoming entangled in or tripping over a longer cord.
2. Longer extension cords are available and may be used if care is exercised in their use.

If a longer extension cord is used:

The marked electrical rating of the extension cord should be at least as great as the electrical rating of the appliance.

The longer cord should be arranged so that it will not drape over the counter top or tabletop where it can be pulled on by children or tripped over unintentionally.

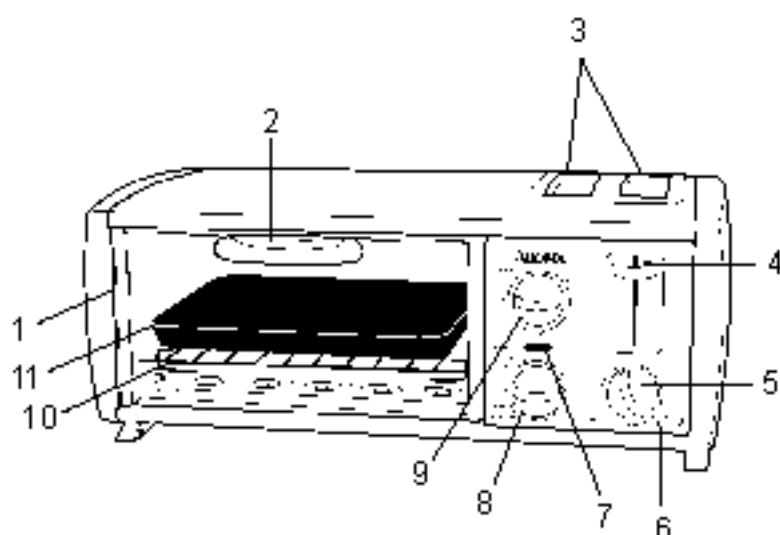
## POLARIZED PLUG

This appliance has a polarized plug (one blade is wider than the other) follow the instructions below:

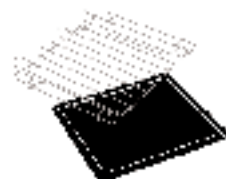
To reduce the risk of electric shock, this plug is intended to fit into a polarized outlet only one way. If the plug does not fit fully into the outlet, reverse the plug. If it still does not fit, contact a qualified electrician. Do not attempt to modify the plug in any way.

**This appliance is for household use only.**

# PARTS IDENTIFICATION



1. Oven glass door
2. Door handle
3. Extra wide toasting well
4. Toaster lever
5. Toasting color selector
6. Toaster STOP button
7. Oven ON light
8. Oven TIMER
9. Oven TEMPERATURE CONTROL
10. Chrome rack
11. Oil drip tray (can be used as roasting pan)



**NOTE:**

The oil drip tray can not only be used along with the rack but can also be placed above the rack as a roasting pan.

# HOW TO USE

## BEFORE USING THE FIRST TIME

1. Remove all packaging material from the oven/toaster.
2. Wipe inner walls of the toaster oven with damp dishcloth. Do not use any abrasive cleaner to clean inside and outside of the oven.
3. Plug the oven into proper wall outlet.

## HOW TO USE TOASTER OVEN:

### CHROME RACK AND OIL DRIP PAN

1. Slide the drip pan into the lower rails of the chrome rack. So the pan can be slide in and out along with the rack and catches the grease and juices while cooking.  
Note: The oil drip pan can also be used as roasting pan with placing it on the rack.
2. Slide your chrome rack into oven at the proper rack position.

### THE USE OF ALUMNUM FOIL

Foil can be used to cover food or the oil drip tray / roasting pan, which would be easier to clean up.

DO NOT allow foil to touch sides of the oven or the heating elements.

DO NOT use aluminum foil to cover the chrome rack or crumb tray to prevent the accumulated crumb and grease from causing fire.

### START USING OVEN

1. Place the chrome rack along with drip pan into the oven. Make sure that it is placed securely at the proper rack slot.

**CAUTION: the rack and the pan cannot be placed over and touched by the heating element.**

2. Select Toast temperature or broil function. It is recommended to select 450°F for toasting bread.
3. Always set timer for cooking. Preheat the oven for 5 minutes. Set the timer (up to 15 minutes or you may select "Oven On" to cook continuously until done.)

**CAUTION: CLOSE SUPERVISION is necessary when selecting oven Stay On feature.**

4. Always make sure the timer is OFF when cooking is done. Use handle to open the glass door. Be careful that the oven and the oven door is HOT.
5. Wear protective mitts when taking out hot containers, rack that contain cooked food.
6. Unplug the toaster oven after each use.

## **HOW TO USE TOASTER :**

1. Remove all wrappings from food before toasting. Select the desired toast color or function button.
2. Place bread or toaster food into toasting slots and press the lever.
3. When toasting single slice, the bread can be placed in either of the slots.
4. To stop or cancel toasting, press "Stop" button any time.
5. Toasts will automatically pop up when the selected color is reached.

## **CAUTIONS**

- Do not touch hot surfaces.
- Always wear protective mitts when handling hot food.▪
- To prevent from grease dripping on heating elements that might cause fire, always use the broiler pan or heat-proof dish to cook Food such as steak, pork chops, sausages and hamburgers.
- Never operate the oven with the glass window open.
- All cooking containers must be placed on the chrome rack. Never set boiler pan or containers directly on the lower heating elements.
- Always use heat-proof dish or casserole for cooking in the oven. Make sure the dish can fit in the oven in advance of cooking.
- Leave at least 2 inches between food and the top heating element when cooking.
- Remove all paper or plastic packaging materials from TV dinners or any convenience food before cooking in the toaster oven. Only place the package that states "TOASTER OVEN SAFE" into toaster oven for cooking.
- Always wear oven mitts to remove broiler tray or dish from oven.
- Make sure to turn OFF the oven when not in use and unplug. To shut OFF the oven: turn the timer to "OFF" position.

## **( CAUTIONS CONTINUED)**

- Do not leave the oven unattended during cooking.
- Stop using the oven if smoke comes from power cord. Unplug immediately and contact customer service for help.
- When removing hot dish on the chrome rack, do not pull the rack more than halfway out. It is safe to make sure the rack stays securely in the slot position.

# CLEAN AND CARE

## CLEANING AND CARE

1. When done with cooking, set the timer to "OFF" position.
2. Unplug the oven.
3. Always allow the oven to cool complete before cleaning.
4. Remove food residue by using a non-abrasive cleaning pad.
5. Clean the oven interior with a soapy, damp dishcloth.
6. Clean the rack, oil drip tray and crumb tray with immersing in warm, soapy water. Clean with a sponge and rinse thoroughly with water. Let dry or wipe with paper towel.
7. Wipe clean the oven door and body with a damp cloth.

## OVEN CRUMB TRAY

The crumb tray is located on the bottom of the oven. Place the oven on countertop near kitchen sink, loosen the snap closure from bottom, and clean the crumbs to kitchen sink. Wipe crumb tray with damp cloth before and dry before next use. It is suggested to clean the crumb tray in a regular basis (for example, clean once a week with soapy water and rinse clean), this would prevent accumulated crumbs from getting burned and cause fire.

## CAUTIONS

1. DO NOT immerse the toaster oven in water or any liquid.
2. DO NOT use abrasive cleaners or scouring pad for cleaning.
3. DO NOT use the oven or accessories if still WET.
4. DO NOT wipe clean the heating elements.
5. DO NOT use dishwasher to clean the oven and all accessories.
6. Make sure the slide-in crumb tray is cleaned in a regular basis. The built-up crumbs could cause fire if the crumb tray is not cleaned every 3 to 5 uses.

# LIMITED WARRANTY

Aroma Housewares Company warrants this product free from defects in material and workmanship for one year from provable date of purchase in the continental United States. Within this warranty period, Aroma Housewares Company will repair or replace, at its option, defective parts at no charge, provided the product is returned, freight prepaid with proof of purchase and U.S. \$6.00 for shipping and handling charges to Aroma Housewares Company. Please call the toll free number below for return authorization number. Allow 2-4 weeks for return shipping.

This warranty does not cover improper installation, misuse, abuse or neglect on part of the owner. Warranty is also invalid in any case that the product is taken apart or serviced by an unauthorized service station.

This warranty gives you specific legal rights and they may vary from state to state and does not cover areas outside United States.

AROMAHOUSEWARES COMPANY  
6469 Flanders Drive  
San Diego, California 92121  
1-800-276-6286  
M-F, 8:30 AM - 5:00 PM, Pacific Time  
Website: [www.aromaco.com](http://www.aromaco.com)