

# AROMA®

## 2-In-1 Toaster & Coffee Maker



## Instruction Manual & Recipe Guide

ATS-112

THE FASTER, HEALTHIER AND MORE CONVENIENT WAY OF  
COOKING...

Please read all instructions before your first use.

Published By:

Aroma Housewares Co.  
6469 Flanders Drive  
San Diego, CA 92121  
U.S.A.  
1-800-276-6286  
[www.aromaco.com](http://www.aromaco.com)

© 2004 Aroma Housewares Company. All rights reserved.

# IMPORTANT SAFEGUARDS

1. Important: Read all instructions carefully before using.
2. Do not touch hot surfaces. Use handles or knobs.
3. To protect against electrical shock, do not immerse cord, plug or the appliance itself in water or other liquid.
4. Never leave appliance unattended when in use.
5. Close supervision is necessary when the appliance is used near children. Children should not use this appliance.
6. Do not operate or place the toaster on nonheat-resistant or flammable surfaces.
7. Do not operate or place the toaster near a hot gas stove flamer or electric element.
8. Do not operate or place the toaster in a heated oven or microwave oven.
9. Do not operate any appliance with a damaged cord or plug or after the appliance malfunctions or has been damaged in any manner. Return appliance to the nearest authorized service facility for examination, repair, adjustment.
10. Using attachments or accessories other than those supplied by the manufacturer can create a HAZARD. DO NOT use incompatible parts.
11. Do not toast food that will drip when heated. Accumulation inside the toaster creates unsanitary conditions and the possibility of fire or toaster malfunction. Clean out accumulated crumbs frequently to avoid risk of fire or toaster malfunction.
12. Do not operate the toaster without the crumb tray being in its correct position.
13. To reduce the risk of fire or electric shock, do not insert the following items in toaster when plugged in: fingers, metal and non-metal utensils, foil-covered foods and oversized foods.
14. Do not use outdoors.
15. Do not use the toaster for commercial purposes. This appliance is for household use only.
16. Do not let cord hang over edge of table or counter, or touch hot surfaces.
17. Extreme caution must be taken when removing the crumb tray as the tray and contents may be hot.
18. Do not use the appliance for other than intended use.

**SAVE THESE INSTRUCTIONS**

## IMPORTANT SAFEGUARDS CONTINUED

19. A fire may occur if the toaster is covered or touching flammable material, such as curtains, walls, and the like when in operation. Do not store any items on top of the appliance when in use.
20. Unplug from outlet when not in use and before cleaning. Allow the unit to cool before putting on or taking off parts, and before cleaning the appliance.
21. Do not place any of the following or similar materials in or on the toaster such as: paper, cardboard, plastic, etc.
22. Do not attempt to dislodge food when toaster is plugged in.
23. Always pull the plug out from the wall outlet. Never pull the cord.
24. ALWAYS ALLOW THE APPLIANCE TO COOL BEFORE CLEANING.
25. The toaster will shut off automatically upon completion of the toast cycle even if the toaster slot is jammed by bread or something.
26. If some ground coffee or tea leaves must be added during operation, switch off the power and switch it back on again a few minutes later.
27. Use only clean water when filling the water tank.
28. Do not touch the hot plate while the appliance is in operation or immediately after switching it off, as it will still be very hot.
29. After using the appliance a number of times, clean thoroughly the filter cone and reusable filter, the glass coffeepot and the water tank using warm water and non-abrasive detergent.
30. DO NOT use any accessories if they are still wet.
31. DO NOT clean the heating elements.
32. Make sure the slide-in crumb tray is cleaned on a regular basis. Build-up crumbs could cause fire.

**SAVE THESE INSTRUCTIONS**

# SHORT CORD INSTRUCTIONS

1. A short power-supply cord is provided to reduce risk resulting from becoming entangled in or tripping over a longer cord.
2. Longer extension cords are available and may be used if care is exercised in their use.
3. If a longer extension cord is used:
  - a. The marked electrical rating of the extension cord should be at least as great as the electrical rating of the appliance.
  - b. The longer cord should be arranged so that it will not drape over the counter top or tabletop where it can be pulled by children or tripped over unintentionally.

## POLARIZED PLUG

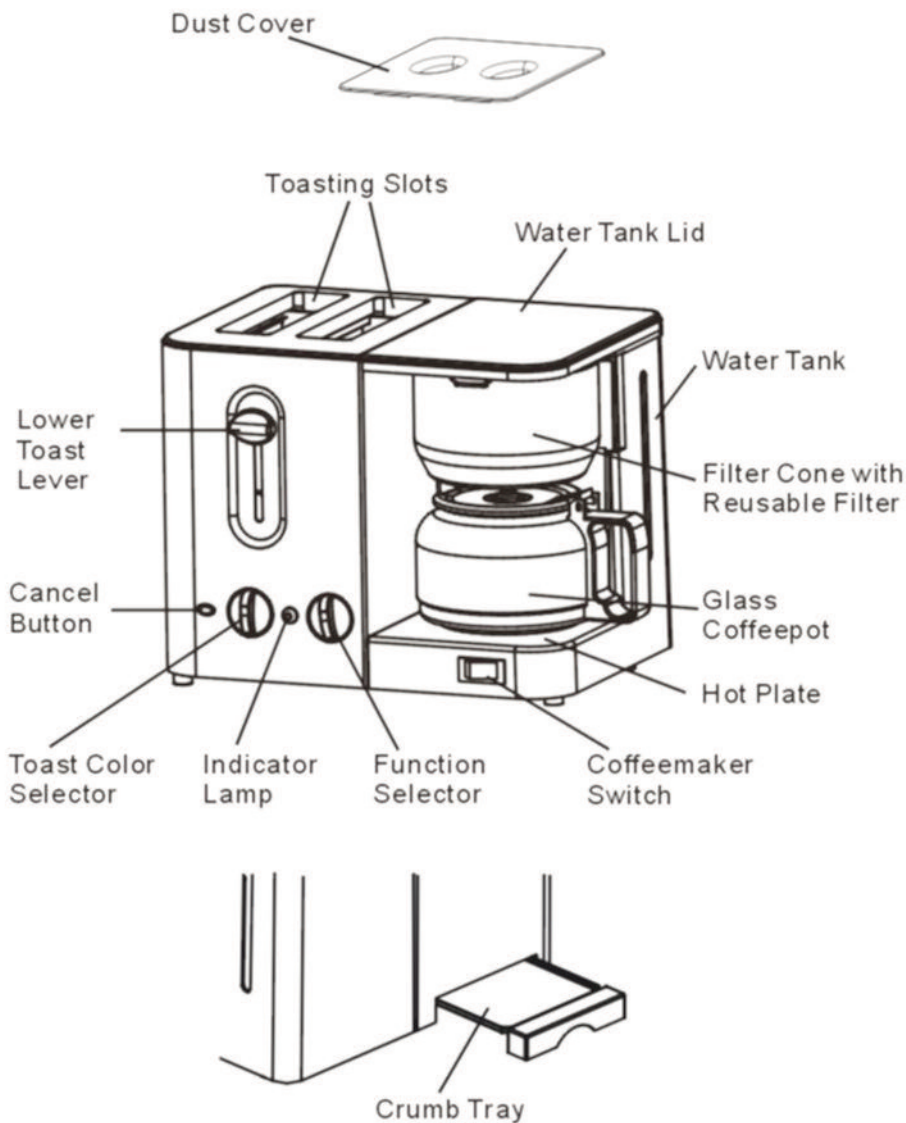
This appliance has a **polarized plug** (one blade is wider than the other); follow the instructions below:

To reduce the risk of electric shock, this plug is intended to fit into a polarized outlet only one way. If the plug does not fit fully into the outlet, reverse the plug. If it still does not fit, contact a qualified electrician. Do not attempt to modify the plug in any way.

**This appliance is for household use only.**

AC 120V 60Hz 1250W  
TOASTER: 600W  
COFFEE MAKER: 650W

# PARTS IDENTIFICATION



# HOW TO USE

## CONTROL BUTTONS

- CANCEL - Press anytime during the toasting process to end the cycle. The bread will pop up from the toaster.

## FUNCTION SELECTOR

- BAGEL: To toast a bagel, set the selector to "BAGEL."
- TOAST: Set the selector to "TOAST" for toasting bread.

## TOAST COLOR SELECTOR

You may adjust the darkness of toast from LIGHT to DARK. Selection depends on the thickness of the bread and its moisture content. It is recommended that you select MEDIUM (the middle range); then adjust to your preference.

## TOASTING

1. Remove all wrappings from food. Select the desired toast color or function (BAGEL/TOAST).
2. Place bread into toast slots and press lever down.
3. When toasting a single slice, the bread can be placed in either of the slots.
4. Toast will automatically pop up when done.
5. The Toaster will "shut off" automatically upon completion of the toast cycle even if the toaster slot is jammed by bread or something.

## CAUTION

1. Do not touch any hot surfaces or parts.
2. Do not leave the toaster unattended.
3. Do not block the top of toaster opening when in use.
4. Do not toast any type of buttered bread. Melted butter will cause fire.
5. NEVER use a fork or sharp-edged utensil to remove toast.

## COFFEEMAKER

1. Clean the containers when they are used for the first time.
2. Uncover the water tank lid and fill in clean water to required level.
3. Put adequate quantity of coffee powder or tea leaves in filter cone.
4. Push the filter cone into the lock, then put glass pot on the hot plates.
5. When you switch on the power, the indicator will light up and the maker will be in operation.
6. Keep the glass pot on the hot plate to keep coffee or tea warm. When there is no coffee or tea in it, switch off the coffeemaker.
7. Switch off the coffee maker after use.
8. Coffeemaker Switch: Turn on or turn off coffeemaker.

# HOW TO CLEAN

## **CLEANING**

1. Always unplug the appliance and allow it to cool completely before cleaning.
2. To clean, wipe the appliance with a soft damp cloth.

## **CRUMB TRAY**

Gently slide the crumb tray out to dump the crumbs. Use a damp cloth to clean the crumb tray. Always dry the crumb tray before replacing. Push firmly to close the tray and make sure the tray fits against the toaster.

## **NOTE**

We recommend to clean the crumb tray every other week.

# LIMITED WARRANTY

Aroma Housewares Company warrants this product free from defects in material and workmanship for one year from provable date of purchase in continental United States.

Within this warranty period, Aroma Housewares Company will repair or replace, at its option, defective parts at no charge, provided the product is returned, freight prepaid with proof of purchase and U.S. \$8.00 for shipping and handling charges payable to Aroma Housewares Company. Before returning an item, please call the toll free number below for return authorization number. Allow 2-4 weeks for return shipping.

This warranty does not cover improper installation, misuse, abuse or neglect on the part of the owner. Warranty is also invalid in any case that the product is taken apart or serviced by an unauthorized service station.

This warranty gives you specific legal rights and which may vary from state to state and does not cover areas outside the United States.

AROMA HOUSEWARES COMPANY  
6469 Flanders Drive  
San Diego, California 92121  
1-800-276-6286  
M-F, 8:30 AM - 5:00 PM, Pacific Time  
Website: [www.aromaco.com](http://www.aromaco.com)