

# AROMA®

*Hot H2O X-Press*

# Water Kettle

## Instruction Manual

*Model AWK-113*

Congratulations! Your **AROMA** Hot H2O X-Press Water Kettle will be an attractive and versatile addition to your home. It can be used to prepare a large variety of soups, hot drinks and even desserts.

Please read the following instructions carefully before your first use.



Published By:

Aroma Housewares Co.  
6469 Flanders Drive  
San Diego, CA 92121  
U.S.A.  
1-800-276-6286  
[www.aromaco.com](http://www.aromaco.com)

© 2005 Aroma Housewares Company All rights reserved.

# IMPORTANT SAFEGUARDS

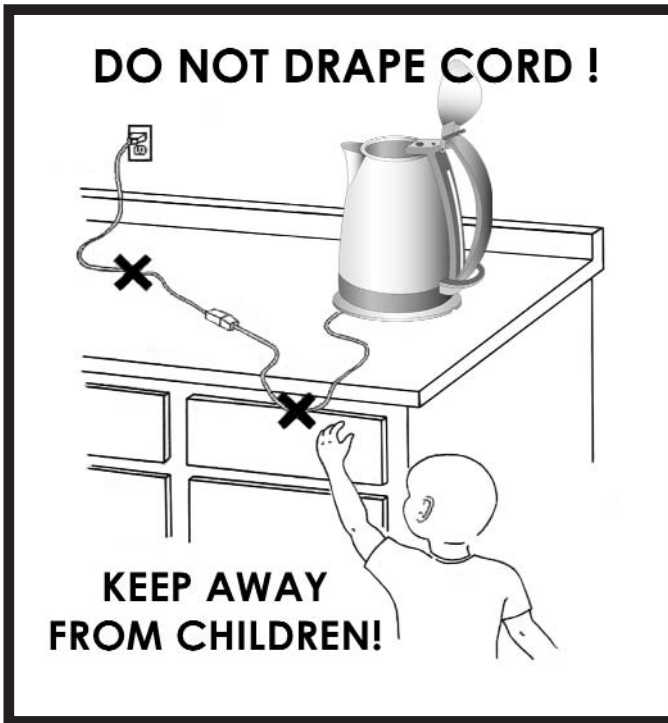
*Basic safety precautions should always be followed when using electrical appliances, including the following:*

1. Read all instructions before using the appliance.
2. Do not touch hot surfaces. Use handles or knobs. Metal surfaces become extremely hot.
3. To prevent against electrical hazards, do not immerse cord, plug or kettle in water or other liquid. See instructions for cleaning.
4. Close supervision is necessary when any appliance is used by or near children.
5. Always unplug appliance from outlet when not in use and before cleaning. Allow to cool before cleaning and handling.
6. Do not operate appliance with a damaged cord or plug, after appliance malfunctions, is dropped or damaged in any manner. Return the appliance to an authorized service facility for examination, repair or electrical/mechanical adjustment.
7. The use of accessory attachments not recommended by the appliance manufacturer may cause injuries.
8. Do not use outdoors.
9. Do not let cord hang over edge of table or counter or touch hot surfaces.
10. Do not place kettle on or near a hot gas or electric burner or a heated oven.
11. To disconnect, grasp plug and remove from outlet. Never unplug by pulling the cord.
12. Do not use kettle for other than intended use.
13. The power base must only be used with the provided kettle.
14. Only use the kettle to heat water.
15. Do not unscrew any screws on the kettle or power base.
16. Do not move kettle during heating process.

## SAVE THESE INSTRUCTIONS

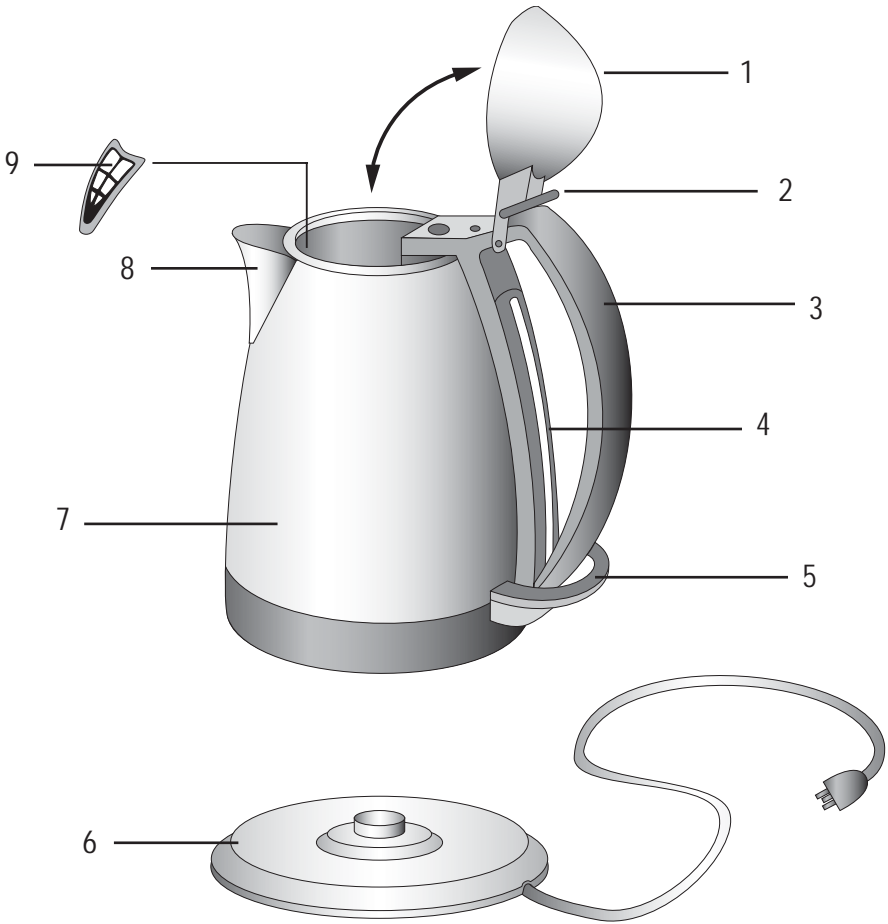
# SHORT CORD INSTRUCTIONS

1. A short power-supply cord is provided to reduce risk resulting from becoming entangled in or tripping over a longer cord.
2. Longer extension cords are available and may be used if care is exercised.
3. If a longer extension cord is used:
  - a. The marked electrical rating of the extension cord should be at least as great as the electrical rating of the appliance.
  - b. The longer cord should be arranged so that it will not drape over the counter top or tabletop where it can be pulled by children or tripped over unintentionally.



**This appliance is for household use only.**

# PARTS IDENTIFICATION

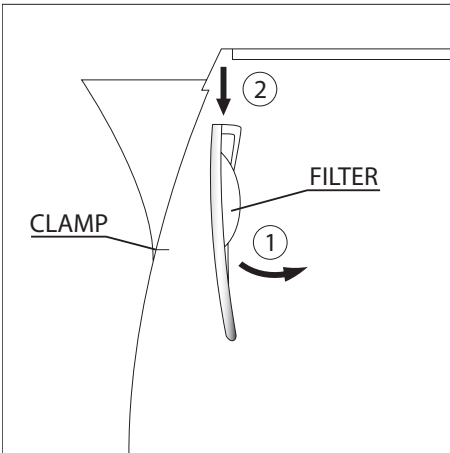


1. Kettle Lid
2. Lid Release Button
3. Handle
4. Water Level Indicator
5. Power Lever
6. Power Base
7. Kettle Body
8. Spout
9. Spout Filter

# HOW TO USE

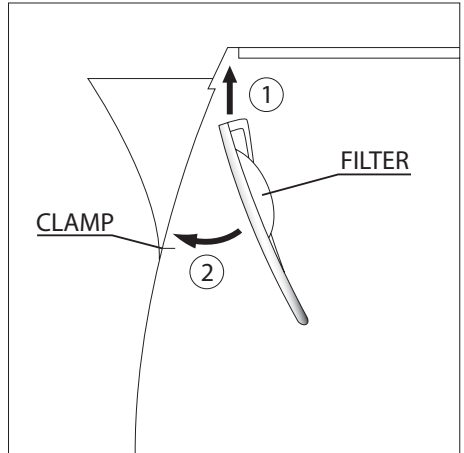
1. Before first use, make sure the kettle, power base and power cord are in good condition and are completely dry.
2. Remove the kettle from the power base, open the lid and fill the kettle with the desired amount of water. Do not fill passed the MAX mark.
3. Close the lid, making sure it locks closed.
4. Once again, make sure the kettle and power base are completely dry.
5. Place kettle onto the power base and plug in the unit.
6. Press the power lever located on the base of the handle to the down position, turning on the unit. The indicator light will illuminate.
7. Do not open lid while water is boiling.
8. When the water has boiled, the kettle will release the power lever back to the up position, the unit will turn off and the indicator light will blink.
9. If no further heating is required, unplug unit for additional safety.
10. Lift the kettle off the power base before pouring.
11. After pouring, make sure the bottom of the kettle and the power base are dry and place the kettle back onto the power base.

To remove filter



Picture A

To insert filter



Picture B

# HOW TO CLEAN

1. Always unplug unit and allow to cool before cleaning
2. Do not use abrasive cleansers. Simply wipe the exterior with a clean damp cloth and dry thoroughly. If a cleaning solution is used, apply to a clean cloth and not directly onto the kettle. Never disassemble the kettle or the base for cleaning.
3. Never immerse the kettle, cord, plug, or power base in water.
4. During cleaning, make sure any electrical connections remain completely dry.
5. The filter can be removed for cleaning. Clean the mesh of the filter regularly by running it under the tap. Never try to remove the filter when the kettle is hot or contains hot water. See page 4 for removal instructions.

## Troubleshooting

Problem	Reason	Possible Solution
The kettle and the indicator light do not work when the power lever is pressed down.	Unit has no power.	Check that the cord is plugged into the outlet and the kettle is properly connected to the power base.
The water is boiling but the switch doesn't automatically turn off.	The lid is not closed properly.	Close the lid until it locks into place.
The power switch cannot be pressed down and the kettle will not work.	The kettle is not properly placed on the power base or something is preventing them from connecting.	Ensure that the kettle is attached correctly and that the power base has nothing blocking the connection.

# LIMITED WARRANTY

Aroma Housewares Company warrants this product free from defects in material and workmanship for one year from provable date of purchase in the continental United States.

Within this warranty period, Aroma Housewares Company will repair or replace, at its option, defective parts at no charge, provided the product is returned, freight prepaid with proof of purchase and U.S. \$8.00 for shipping and handling charges payable to Aroma Housewares Company. Before returning an item, please call the toll free number below for return authorization number. Allow 2-4 weeks for return shipping.

This warranty does not cover improper installation, misuse, abuse or neglect on the part of the owner. Warranty is also invalid in any case that the product is taken apart or serviced by an unauthorized service station.

This warranty gives you specific legal rights which may vary from state to state and does not cover areas outside the United States.

AROMA HOUSEWARES COMPANY  
6469 Flanders Drive  
San Diego, California 92121  
1-800-276-6286  
M-F, 8:30 AM - 5:00 PM, Pacific Time  
Website: [www.aromaco.com](http://www.aromaco.com)