

BEFORE FIRST USE

1. Read all instructions and important safeguards.
2. Remove all packaging materials and check that all items have been received in good condition.
3. Tear up all plastic bags as they can pose a risk to children.
4. Wash the food plunger, feeder chute, blades, drive sleeve, and collection cup in warm, soapy water. Rinse and dry thoroughly.
5. Wipe the body clean with a damp cloth.

NOTE:

- The blades and power cord are located in a small door on the back of the unit body.
- Do not immerse the body of the appliance in water.
- The blades are sharp! Handle with extreme care. Do not allow children to operate the appliance.

IMPORTANT SAFEGUARDS

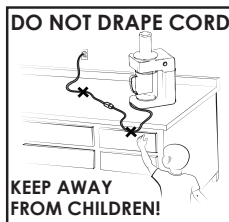
Basic safety precautions should always be followed when using electrical appliances, including the following:

1. **Important: Read all instructions carefully before first use.**
2. Blades and inserts are extremely sharp, handle with care.
3. Use only on a level, dry surface.
4. To protect against electrical shock, do not immerse cord, plug or the motor housing in water or any other liquid.
5. Close supervision is necessary when the appliance is used near children. This appliance shall not be used by children.
6. Do not operate any appliance with a damaged cord or plug or after the appliance malfunctions or has been damaged in any manner. Contact Aroma customer service for examination, repair or adjustment.
7. The use of accessory attachments not recommended by Aroma may result in fire, electrical shock or injury.
8. Do not use outdoors.
9. Do not let cord touch hot surfaces or hang over the edge of a counter or table.
10. Avoid contact with moving parts.
11. Do not use this appliance for anything other than its intended use.
12. Unplug this appliance from the outlet when not in use, before putting on or removing blades or inserts, and before cleaning.
13. Do not press the power switch with any foreign object.
14. Use only with a 120V AC power outlet.
15. Always unplug from the base of the wall outlet. Never pull on the cord.
16. Never insert food by hand. Always use the food plunger.
17. Do not place heavy objects on the power cord. Doing so may cause damage.
18. Unplug the spiralizer from the power outlet before removing sliced food from the collection cup.
19. Turn the appliance OFF, then remove plug from the wall outlet.
20. Never reach hands or fingers into the food chute.
21. Do not insert foreign objects into the food chute.
22. Keep hands and utensils out of the container while slicing to reduce the risk of severe personal injury or damage to the product.
23. Do not move unit while in operation.
24. When removing processed food, be sure the unit is turned off and unplugged.
25. Do not place appliance on or near a hot gas or electric burner, or in a heated oven.

SAVE THESE INSTRUCTIONS

Short Cord Instructions

1. A short power-supply cord is provided to reduce the risks resulting from becoming entangled in or tripping over a longer cord.
2. Longer extension cords are available and may be used if care is exercised in their use.
3. If a longer extension cord is used:
 - a. The marked electrical rating of the extension cord should be at least as great as the electrical rating of the appliance.
 - b. The longer cord should be arranged so that it will not drape over the counter top or tabletop where it can be pulled by children or tripped over unintentionally.



Polarized Plug

This appliance has a polarized plug (one blade is wider than the other); follow the instructions below:

To reduce the risk of electric shock, this plug is intended to fit into a polarized outlet only one way. If the plug does not fit fully into the outlet, reverse the plug. If it still does not fit, contact a qualified electrician. Do not attempt to modify the plug in any way. If the supply cord is damaged, it must be replaced by the manufacturer, its service agent or a similarly qualified person in order to avoid a hazard.

THIS APPLIANCE IS FOR HOUSEHOLD USE ONLY.

1. Place the drive sleeve into the opening at the top of the appliance body with the thicker side on top.
2. Place the chosen blade into the drive sleeve.
3. Place the feeder chute onto the slot so it falls into place. Turn it clockwise to lock in position.
4. Place the collection cup into position.
.....

TO SPIRALIZE

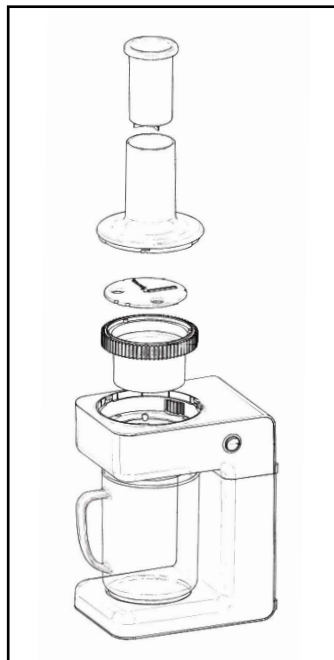
1. Plug the power cord into an available 120AC wall outlet.
2. Push prepared food onto the center of the cross end of the food plunger.
3. Switch ON the spiralizer.
4. Place the food attached to the plunger into the feeder chute and apply slight pressure.
5. The spiralized food will fall below to the collection cup.
6. When finished, switch the spiralizer OFF and unplug.
.....

NOTE:

- For best results, peel fruits and vegetables before being spiralized. Skin can be left on cucumbers and zucchini.
- When selecting foods to be spiralized, choose items that are straight rather than curved.
- Always use this appliance with caution. Keep hands well clear of moving parts.
- If the motor ever gets stuck during operation, turn the switch OFF. Unplug the spiralizer and detach the feeder chute. Replace the feeder chute, lock back into place and resume use.

Selecting a Blade:

- The **Grating Blade** is the blade with 10 rows of dimples.
- The **Noodle Blade** is the blade with 1 straight row and 1 row of dimples.
- The **Sliced Spiral Blade** is the blade with 1 straight row.



TO CLEAN

1. Always turn the appliance OFF and unplug it from the wall before attempting to disassemble.
2. Take off all removable pieces and wash in warm, soapy water. Rinse and dry thoroughly.
3. Wipe the appliance body with a clean damp cloth and dry thoroughly.
.....

NOTE:

- Do not use harsh abrasive cleaners or scouring pads.
- Do not wash any parts of the spiralizer in the dishwasher.
- Any other servicing should be performed by Aroma® Housewares. Contact Aroma® customer service at 1-800-276-6286, Monday to Friday 8:30AM-4:30PM PST.

LIMITED WARRANTY

Aroma Housewares Company warrants this product against defects in material and workmanship for 1 year from provable date of purchase in the United States.

Within this warranty period, Aroma Housewares Company will repair or replace, at its discretion, defective parts at no charge, provided the product is returned, freight prepaid with proof of purchase and U.S. \$15.00 for shipping and handling charges payable to Aroma Housewares Company. Before returning an item, please call the toll free number below for a return authorization number. Allow 2-4 weeks for return shipping.

This warranty does not apply if the warranty period expired; the product has been modified by any unauthorized service center or personnel; the defect was subject to abuse, improper use not conforming to product manual instructions, or environmental conditions more severe than those specified in the manual and specification, neglect of the owner or improper installation; the defect was subject to Force Majeure such as flood, lightning, earthquake, other natural calamities, war, vandalism, theft, brownouts or sags (damage due to low voltage disturbances).

This warranty gives you specific legal rights, which may vary from state to state, and does not cover areas outside the United States. Call the number below for service or support:

Aroma Housewares Company
6469 Flanders Drive, San Diego, CA 92121, U.S.A.
1-800-276-6286 | www.AromaCo.com
M-F, 8:30am – 4:30pm, Pacific Time