

# AROMA<sup>®</sup>

*Breakfast To Go*<sup>™</sup>

## 3-in-1 Toaster Oven



## Instruction Manual

*Model: ABT-106*

Congratulations!

Your **AROMA** 3-in-1 Toaster Oven will surely become one of the most versatile and practical appliances in your home.

Please read the following instructions carefully before your first use.

Published By:

Aroma Housewares Co.  
6469 Flanders Drive  
San Diego, CA 92121  
U.S.A.  
1-800-276-6286  
[www.aromaco.com](http://www.aromaco.com)

© 2003 Aroma Housewares Company All rights reserved.

# IMPORTANT SAFEGUARDS

**Basic safety precautions should always be taken when using electrical appliances, including the following:**

1. Important: Read all instructions carefully before first use.
2. Do not touch hot surfaces. Use handles or knobs.
3. To protect against electrical shock, do not immerse the appliance, cord, or plug in water or other liquid.
4. Close supervision is necessary when the appliance is used near children. This appliance is not intended for use by children.
5. Prior to plugging appliance into the wall outlet ensure temperature control is set to the "OFF" position. To disconnect, turn the temperature control to the "OFF" position, then remove plug from wall outlet.
6. Unplug from outlet when not in use and before cleaning. Allow to cool before putting on or taking off parts, and before cleaning the appliance.
7. Do not operate any appliance with a damaged cord or plug, or after the appliance malfunctions or has been damaged in any manner. Return appliance to the nearest authorized service facility for examination, repair or adjustment.
8. The use of accessory attachments not recommended by the appliance manufacturer may cause fire, electric shock or injury.
9. Do not use outdoors.
10. Do not let cord touch hot surfaces or hang over the edge of a counter or table.
11. Do not place on or near a hot burner or in a heated oven.
12. Extreme caution must be taken when removing the broiler tray and disposing of hot grease or other hot liquid.
13. Do not use the appliance for other than intended use.
14. Do not clean with metal scouring pads. Pieces can break off the pad and touch electrical parts, causing a risk of shock. Metal scouring pads may also damage the finish of the oven.
15. While in use, keep oven at least 4 inches away from walls. Place on a stable, heat-resistant surface and in a well-ventilated area. Make sure the appliance is placed on a dry and horizontal surface.
16. A fire may occur if the oven is covered or touching flammable material, such as curtains, draperies, walls, and the like, when in operation. Do not store any items on top of the appliance when in operation.
17. Do not put any of the following or similar materials in or on the oven: paper, cardboard, plastic etc.

## SAVE THESE INSTRUCTIONS

(CONTINUE)

18. The oven (glass door, top, back, and side of the oven) is very hot when in use. Be sure to use handles and wear oven mitts or gloves.
19. Oversize foods or metal utensils must not be inserted in the oven as they may create a fire or risk of electric shock.
20. Extreme caution should be used when using containers made of other than metal or glass.
21. Do not store any materials other than manufacturer's recommended accessories in this oven when not in use.
22. Do not cover any part of the oven with metal foil. This will cause overheating of the oven.
23. Always unplug the oven from the wall outlet when not in use. Do not pull the cord.
24. Electric Power: If the electric circuit is overloaded with other appliances, this appliance may not operate properly. The oven should be operated on a separate electrical circuit from other operating appliances.
25. All containers placed inside the oven must not be airtight. Also, the containers should be left with enough room to allow for expansion of fluid.
26. Clean the appliance regularly as built-up of grease may cause fire.
27. Stale toast, croutons and crackers may catch fire inside the appliance. We suggest your select light toast setting for these types of food and watch the toasting process carefully.
28. Use a soapy damp cloth to clean the glass door of the oven. Do not use any sharp utensils as it may damage the glass and possibly cause breaking of glass. **ALWAYS ALLOW THE APPLIANCE TO COOL BEFORE CLEANING.**
29. Do not leave the coffee carafe empty when the power switch is ON. Turn it OFF if there is no coffee in the carafe.

## **SAVE THESE INSTRUCTIONS**

## SHORT CORD INSTRUCTIONS

1. A short power-supply cord is provided to reduce risk resulting from becoming entangled in or tripping over a longer cord.
2. Longer extension cords are available and may be used if care is exercised in their use.
3. If a longer extension cord is used:
  - a. The marked electrical rating of the extension cord should be at least as great as the electrical rating of the appliance.
  - b. The longer cord should be arranged so that it will not drape over the counter top or tabletop where it can be pulled by children or tripped over unintentionally.

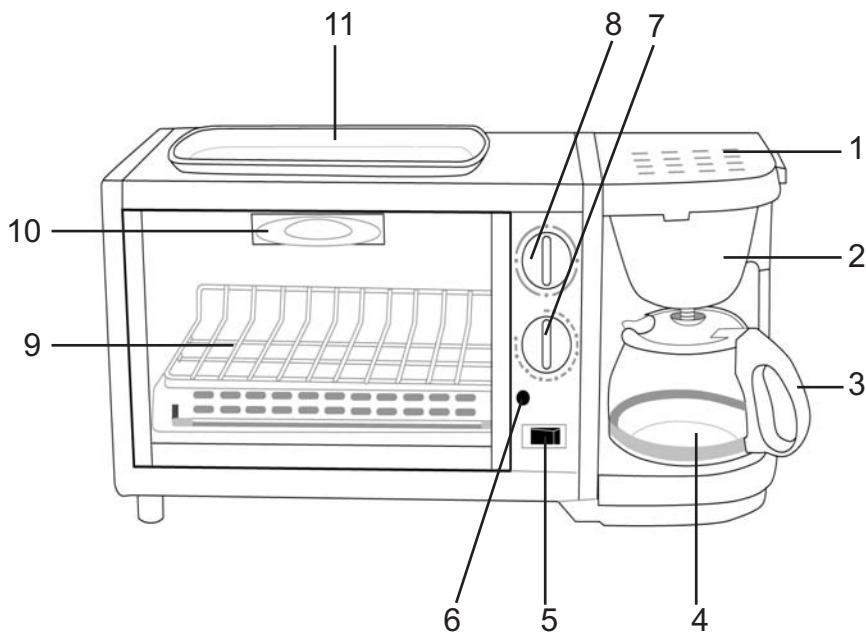
## POLARIZED PLUG

This appliance has a **polarized plug** (one blade is wider than the other); follow the instructions below:

To reduce the risk of electric shock, this plug is intended to fit into a polarized outlet only one way. If the plug does not fit fully into the outlet, reverse the plug. If it still does not fit, contact a qualified electrician. Do not attempt to modify the plug in any way.

**This appliance is for household use only.**

# PARTS IDENTIFICATION



1. Cover of coffee maker
2. Coffee Filter Cone
3. Coffee maker handle
4. Carafe
5. Coffee maker ON/OFF switch
6. Oven ON light
7. Timer control
8. Function control
9. Chrome bake rack
10. Oven glass window with handle
11. Griddle

# OPERATION INSTRUCTONS

## **Before First Use:**

1. Read all instructions and important safeguards.
  2. Remove all packaging materials and make sure items are received in good condition.
  3. Tear up all plastic bags as they can pose a risk to children.
  4. Wash accessories in warm soapy water. Rinse and dry thoroughly.
  5. Wipe body clean with a damp cloth.
- **Do not use abrasive cleaners or scouring pads.**
  - **Do not immerse the appliance cord or plug in water at any time.**

## **Coffee maker:**

1. Clean the water tank and coffee carafe by rinsing with water.
2. To make coffee, fill the glass carafe with cold water. Open water tank lid and pour into tank. Close water tank lid.
3. Swing open filter cone, remove reusable filter and fill with coffee. Replace reusable filter swinging basket closed until it snaps into place.
4. Place glass carafe under filter cone and turn ON the coffee maker switch.
5. Continuing to keep the glass mug on the hot plate can keep the coffee or tea inside warm. Do not leave empty carafe on the heating plate. Turn OFF the power switch when there is no coffee left in the carafe.

## **Timer:**

1. Always use timer control to turn ON the oven and griddle. To turn the oven on, turn the timer dial clockwise to select the time (maximum 15 minutes). Choosing "Stay ON" will leave the oven on continuously.
2. At the end of the programmed time the timer will ding loudly and the oven will switch OFF automatically.
3. The cooling process may be manuall turned off by turning the timer dial counter clockwise to the "OFF" position.

# OPERATION INSTRUCTIONS CONT.

## Heating Function Selector

OFF	Appliance switched off
UP	Upper element only switched on
DOWN	Lower element only switched on
UP and DOWN	Both elements switched on

In general, it is advisable to begin cooking with the selector in the UP and DOWN position, then turn it to the upper or lower position after a few minutes depending on the size and shape of the food. **To turn on the griddle only, set timer control and select UP heating element.**

## Preheating:

1. Due to the manufacturing process, smoke and odor may be emitted during the first few uses. It is normal and causes no harm.
2. We recommend pre-heating the toaster oven/broiler to eliminate the smoke and odor.
3. Be sure to place the oven on a flat, stable, and heat-resistant surface.  
Pre-heat the oven in a well-ventilated area and do not exceed 5 minutes.
4. Ensure timer is set to the "OFF" position and plug into a 120V AC outlet.
5. Set the Timer and pre-heat the oven for 15-30 minutes at the maximum temperature or until smoke and odor no longer exist.
6. Turn the timer to the "OFF" position, remove the plug from wall outlet, and allow the oven to cool.

### HELPFUL TIP

The Toaster Oven has been designed to utilize everyday recipes. However, temperatures and times may vary. We recommend you monitor the cooking progress by checking your meals frequently during operation to ensure ideal cooking results.



# HOW TO USE

1. Preheat the oven for 2 minutes. Especially when using the baking tray. When toasting, place the food directly on the grill, without the baking tray. Keep the door closed while the oven is in use.
2. The oven may be used to defrost and heat up frozen food; the time will depend on the size and temperature of the food.
3. To ensure uniform defrosting, divide the food into small pieces and wrap them in aluminum foil.

## CAUTION:

- To prevent countertop from being damaged, the toaster oven must be operated with the crumb tray securely in place and cleaned of excess food.
- Never operate with door completely open.
- Always use oven heatproof containers. Make sure the container fits properly prior to use.
- **All cooking containers must be placed on the bake rack. Never set the broiler tray directly on the lower heating elements. If you need to use the broiler tray to cook, place it on the chrome bake rack, and then slide the rack into proper rack slot.**
- Always leave at least 1 inch between food and the top heating elements.
- Remove all paper and plastic from any TV dinner dish before placing it in the toaster oven. Always read the cooking instructions on the package of TV dinner to make sure that it is toaster oven safe.
- Always use oven mitts or hot pads to remove food and trays from oven.
- Always make sure to shut-off the oven when not in use and unplug the power cord. To shut-off the unit in the middle of operation, turn the Timer to "OFF".
- Never leave the oven unattended during operation.
- Stop using the appliance if smoke comes from power cord. Unplug immediately.
- When removing hot dish, never pull the rack more than halfway out; Make sure the rack sits securely in the rack slot.
- Do not allow the top of the container to touch the top heating elements.

# HOW TO CLEAN

*Always unplug unit and allow to cool completely before cleaning.*

1. Use a damp cloth to clean the outside, and a dry one to clean the inside. Never use abrasive detergents or products that cause scratching.
2. The baking tray and grill may be cleaned in a dishwasher. The crumb collector tray may be removed for cleaning.
3. Take special care not to touch the resistances when cleaning the inside of the oven.
  - **Do not use harsh abrasive cleaners or products that are not considered safe to use on non-stick coatings.**
  - **This appliance is NOT dishwasher safe. Do not immerse appliance, cord, or plug in water or any liquid.**

## **CAUTION:**

- Make certain crumb tray is cleaned on a regular basis. Built up crumbs can cause the unit to start on fire.

# LIMITED WARRANTY

Aroma Housewares Company warrants this product free from defects in material and workmanship for one year from provable date of purchase in continental United States.

Within this warranty period, Aroma Housewares Company will repair or replace, at its option, defective parts at no charge, provided the product is returned, freight prepaid with proof of purchase and U.S. \$6.00 for shipping and handling charges payable to Aroma Housewares Company. Before returning an item, please call the toll free number below for return authorization number. Allow 2-4 weeks for return shipping.

This warranty does not cover improper installation, misuse, abuse or neglect on the part of the owner. Warranty is also invalid in any case that the product is taken apart or serviced by an unauthorized service station.

This warranty gives you specific legal rights and which may vary from state to state and does not cover areas outside the United States.

AROMA HOUSEWARES COMPANY  
6469 Flanders Drive  
San Diego, California 92121  
1-800-276-6286  
M-F, 8:30 AM - 5:00 PM, Pacific Time  
Website: [www.aromaco.com](http://www.aromaco.com)