

# AROMA<sup>®</sup>

*45-Cup Coffee Urn*

*Big Brew Classic*



**Instruction Manual**

*Model ACU-045*

Congratulations!

Your **AROMA** Big Brew Classic will surely become one of the most practical appliances in your home or office.

Enjoy fresh brewed coffee anytime!

Please read the following instructions carefully before your first use.



Published By:

Aroma Housewares Co.  
6469 Flanders Drive  
San Diego, CA 92121  
U.S.A.  
1-800-276-6286  
[www.aromaco.com](http://www.aromaco.com)

© 2005 Aroma Housewares Company All rights reserved.

# IMPORTANT SAFEGUARDS

*Basic safety precautions should always be followed when using electrical appliances, including the following:*

1. Read all instructions before use.
2. Do not touch hot surfaces. Use handles or knobs.
3. To protect against electrical shock, do not immerse cord, plug or coffee maker in water or any other liquid.
4. Close supervision is necessary when this appliance is used by or near children. This appliance is not intended to be used by children.
5. Unplug from outlet when not in use and before cleaning. Allow to completely cool before putting on or taking off any parts, and before cleaning.
6. Do not operate this appliance with a damaged cord or the plug or after the appliance malfunctions or has been damaged in any manner. Return appliance to the nearest authorized service facility for examination, repair or adjustment.
7. The use of accessory attachments not recommended by the appliance manufacturer may cause injuries.
8. Do not use outdoors.
9. Do not let cord hang over edge of table or counter, or touch hot surfaces.
10. Do not place on or near a hot gas or electrical burner, or in a heated oven.
11. Extreme caution must be used when moving an appliance containing hot coffee or any other hot liquids.
12. To disconnect, remove plug from wall outlet. Always hold the plug, never pull the cord.
13. Do not use appliance for other than intended use.
14. Make sure that the cover is securely in place before brewing and when serving coffee. When placing the cover on the body of the coffee urn, make sure the locking tabs are in the front and back of the handles. Grasp the knob carefully and turn the cover clockwise until the locking tabs are fully engaged inside the handles of the coffee urn.
15. Scalding may occur if the cover is removed during the brewing cycle. When removing the cover from the body of the coffee urn, grasp the knob carefully and turn the cover counter-clockwise to unlock the lid. Use extreme caution.
16. During and after brewing, the glass knob will be hot. Always use a pot holder or oven mitt to remove or replace the cover.

**SAVE THESE INSTRUCTIONS**  
FOR COMMERCIAL AND HOUSEHOLD USE

# SHORT CORD INSTRUCTIONS

1. A short power-supply cord is provided to reduce risk resulting from becoming entangled in or tripping over a longer cord.
2. Longer extension cords are available and may be used if care is exercised.
3. If a longer extension cord is used:
  - a. The marked electrical rating of the extension cord should be at least as great as the electrical rating of the appliance.
  - b. The longer cord should be arranged so that it will not drape over the counter top or tabletop where it can be pulled by children or tripped over unintentionally.

# POLARIZED PLUG

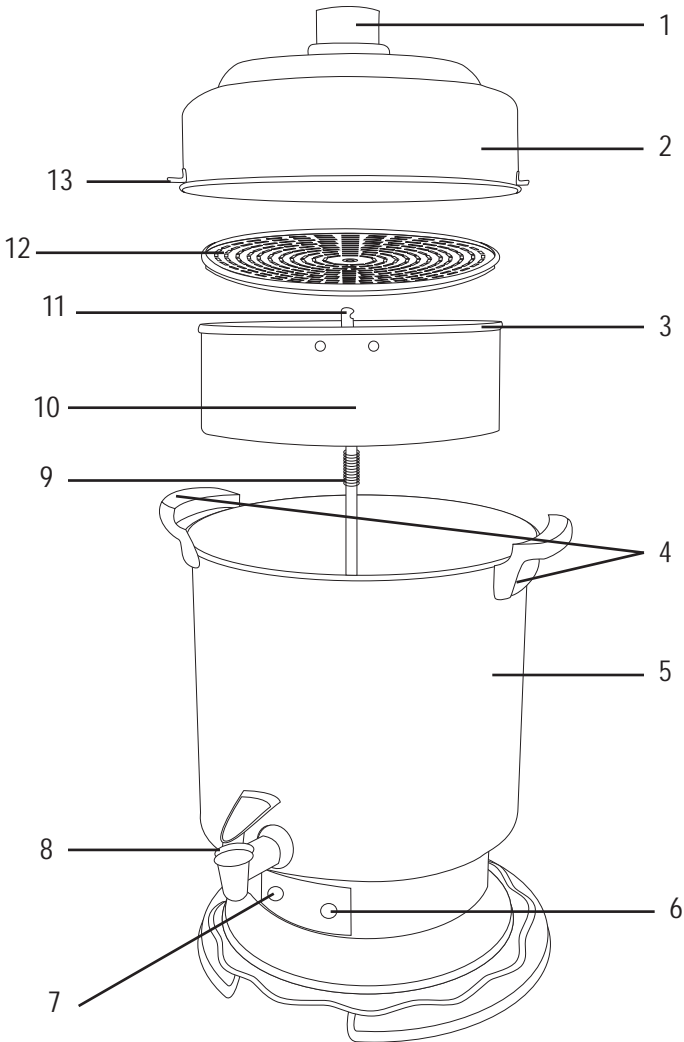
This appliance has a **polarized plug** (one blade is wider than the other); follow the instructions below:

To reduce the risk of electric shock, this plug is intended to fit into a polarized outlet only one way. If plug does not fit fully into the outlet, reverse the plug. If it still does not fit, contact a qualified electrician. Do not attempt to modify the plug in any way.



This appliance is for household use only.

# PARTS IDENTIFICATION



- |                             |                              |
|-----------------------------|------------------------------|
| 1. Cool-Touch Knob          | 8. Non-drip Dispensing Spout |
| 2. Stainless Steel Lid      | 9. Stem                      |
| 3. Brew Basket              | 10. Stem Spring              |
| 4. Handles                  | 11. Water Dispensing Spout   |
| 5. Stainless Steel Exterior | 12. Brew Basket Lid          |
| 6. Power Indicator Light    | 13. Lid Locking Tabs         |
| 7. Ready Indicator Light    |                              |

# HOW TO USE

## Before First Use:

1. Read the instructions and important safeguards.
  2. Remove all packaging materials; make sure all your items are received in good condition.
  3. Wash the inside of the coffee urn and all the accessories with warm soapy water using a sponge or dishcloth.
  4. Rinse thoroughly to remove soapy residue.
  5. Wipe body clean with a damp cloth.
- **Do not use abrasive cleaners or scouring pads.**
  - **Do not immerse the appliance, cord or plug in water at any time.**

## To Make Coffee:

1. Place the appliance upright on a dry, sturdy and flat surface.
2. Set coarsely ground coffee aside. Do not use drip or finely ground coffee as flooding of the basket may occur.
3. Remove all inside parts, then fill the urn with the appropriate amount of COLD water depending on the amount of coffee desired. See coffee measuring chart on page 5.
4. Place stem into heating unit at the bottom of the coffee urn. Then put brew basket on stem, making sure that the spring is on the stem. Spread the recommended amount of ground coffee evenly into the basket. See coffee measuring chart on page 5 for approximate measurements.
5. Wet brew basket to prevent small particles of coffee from sifting through. Use standard measuring cup (250ml) to measure coffee. Adjust the amount of coffee depending on individual preference. To make tea, follow the same instructions and substitute tea or tea bags instead of coffee in basket and add water to desired level. Replace brew basket lid.
6. Replace stainless steel lid and secure in position by turning cover clockwise until lid locking tabs fit into the handle slots.
7. Plug in the coffee urn. The "Power" indicator light will be illuminated and the coffee urn will start brewing coffee.
8. When coffee is ready to serve, the "Ready" indicator light will illuminate and keep coffee warm. Before serving, use a protective hot pad or wear mitts to unlock lid and carefully remove brew basket and stem from coffee urn.
9. To make additional coffee, rinse the coffee urn and parts with cold water and repeat steps.

### CAUTION:

- Use extreme caution: the basket, stem and ground coffee are very hot.
- Never open the lid while the coffee urn is in brewing process.
- Do not touch the coffee urn exterior while in use.

# HOW TO USE

## *Measuring Chart*

Cups To Be Brewed	Amount Of Coffee To Be Used
20	2 cups
30	2 1/2 cups
40	3 cups
45	3 1/4 cups

1 cup of brewed coffee =  $\frac{2}{3}$  cup

\* Use standard measuring cup

*Note: This chart is for reference only.  
Slightly adjust the amount of coffee as needed.*

### **CAUTION:**

- Do not plug in and turn on the product when there is NO water inside.
- Never open the lid of the coffee urn while it is in use.
- Turn off the coffee urn and unplug from electrical outlet when there is less than 2 cups of coffee remaining.
- The coffee urn must be cleaned after each use. Improper cleaning will affect the performance of the product or may cause the unit to stop percolating.
- Do not brew less than 20 cups of coffee.
- Do not overfill or underfill

### **NOTE:**

- Ground coffee in basket has to be removed promptly after coffee is made to prevent the bitter oil of ground coffee from dripping into coffee.
- To preserve taste, it is not recommended to reheat coffee.

# HOW TO CLEAN

*Always unplug and allow unit to cool completely before cleaning.*

1. Remove lid and all internal parts carefully. Parts, coffee grounds and remaining coffee may still be hot. Do not clean until unit has cooled completely.
2. Wash the inside of the coffee urn and the parts with warm, soapy water. Rinse and dry thoroughly. Do not immerse the base of the coffee urn in any liquid.
3. The stem (with spring), water spout and lid with cool-touch knob may be washed in the dishwasher. When washing the stem, make sure that the WASHER on the bottom remains loose. If coffee grounds are trapped in this area, hold the stem under running water or use a wooden tooth pick to remove built up grounds.
4. Wipe the outside of the coffee urn with a damp cloth and dry with a towel. Remove lid before storing.
5. After repeated use, coffee stains and accumulation of oils that may cause a bitter taste may develop. Periodically, use a coffee-stain remover or special cleaner and follow package directions for cleaning. Rinse well after cleaning.
6. Do not use abrasive cleaners or pads on the outside, inside or any parts of the coffee urn as scratching will occur and damage the coffee urn.

## **CAUTION:**

- Do not immerse the appliance in water or any liquid.
- Do not use abrasive cleaners or scouring pads.



# LIMITED WARRANTY

Aroma Housewares Company warrants this product free from defects in material and workmanship for one year from provable date of purchase in the continental United States.

Within this warranty period, Aroma Housewares Company will repair or replace, at its option, defective parts at no charge, provided the product is returned, freight prepaid with proof of purchase and U.S. \$8.00 for shipping and handling charges payable to Aroma Housewares Company. Before returning an item, please call the toll free number below for return authorization number. Allow 2-4 weeks for return shipping.

This warranty does not cover improper installation, misuse, abuse or neglect on the part of the owner. Warranty is also invalid in any case that the product is taken apart or serviced by an unauthorized service station.

This warranty gives you specific legal rights which may vary from state to state and does not cover areas outside the United States.

AROMA HOUSEWARES COMPANY  
6469 Flanders Drive  
San Diego, California 92121  
1-800-276-6286  
M-F, 8:30 AM - 5:00 PM, Pacific Time  
Website: [www.aromaco.com](http://www.aromaco.com)