

# AROMA®



## instruction manual

AEK-100B

### Electric Knife

*Questions or concerns about your Aroma product?*

**[www.AromaCo.com/Support](http://www.AromaCo.com/Support)**

**1-800-276-6286**

**DISCOVER  
more of our  
products!**



Multicookers/  
Rice Cookers



Pressure Cookers



Water Kettles



Indoor Grills



Induction Cooktops

# AROMA®

To Enhance and Enrich Lives.

Here at Aroma we strive to make a difference—to design and distribute products that enhance and enrich people's lives.

Aroma offers an array of exceptional products to make cooking simple and satisfying. Discover other countertop appliances and cookware from our current product lineup to complement your kitchen.

**Stay connected for more recipe ideas and monthly giveaways!**



[www.AromaTestKitchen.com](http://www.AromaTestKitchen.com)



[/AromaHousewares](https://www.instagram.com/AromaHousewares)



Published By:

Aroma Housewares Co. | 6469 Flanders Drive, San Diego, CA 92121, U.S.A.

1-800-276-6286 | [www.AromaCo.com](http://www.AromaCo.com)

©2018 Aroma Housewares Company | All rights reserved.



# IMPORTANT SAFEGUARDS

**Basic safety precautions should always be followed when using electrical appliances, including the following:**

- Important: Read all instructions carefully before first use.**
- Caution is necessary when handling the blades. Serrated edges of the blades are very sharp.
- Always unplug from outlet before inserting or removing blades.
- Always unplug from the plug gripping area. Never pull on the cord.
- Always unplug appliance when not in use and before cleaning.
- This appliance is not intended for use by persons (including children) with reduced physical, sensory or mental capabilities, or lack of experience and knowledge, unless they have been given supervision or instruction concerning use of the appliance by a person responsible for their safety.
- Close supervision is necessary when the appliance is used by or near children.
- Do not allow children to play with blades.
- The temperature of accessible surfaces may be high when the appliance is operating.
- Do not operate any appliance with a damaged cord or plug or after the appliance malfunctions or has been damaged in any manner. Contact Aroma® customer service for examination, repair or adjustment.
- The use of accessory attachments not recommended by Aroma® Housewares may result in fire, electrical shock or injury.
- Never leave an appliance unattended while in use.
- Do not use outdoors.
- Do not let cord touch hot surfaces or hang over the edge of a counter or table.
- Do not place on or near a hot gas or electric burner or in a heated oven.
- Do not use the appliance for other than its intended use.
- Use only with a 120V AC power outlet.
- The electric knife should be operated on a separate electrical circuit from other operating appliances. If the electrical circuit is overloaded with other appliances, the appliance may not operate properly.
- Do not wrap or tie cord around appliance.
- Intended for countertop and household use only.
- To protect against fire, electric shock and injury to persons, do not immerse cord, plug or the appliance in water or any other liquid. See instructions for cleaning.
- Do not immerse the appliance or its parts in water.
- Do not place on top of any other appliance.
- Disconnect when changing blades.
- Do not operate the electric knife in water or under running water.
- Do not use the appliance with an extension cord unless the cord has been checked and tested by a qualified electrician or service person.

## SAVE THESE INSTRUCTIONS



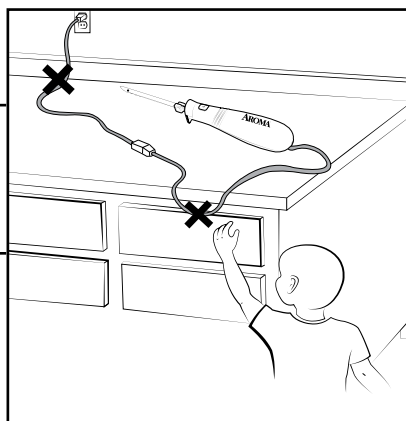
# IMPORTANT SAFEGUARDS

## Short Cord Instructions

1. A short power-supply cord is provided to reduce the risks resulting from becoming entangled in or tripping over a longer cord.
2. Longer extension cords are available and may be used if care is exercised in their use.
3. If a longer extension cord is used:
  - a.) The marked electrical rating of the extension cord should be at least as great as the electrical rating of the appliance.
  - b.) The longer cord should be arranged so that it will not drape over the countertop or tabletop where it can be pulled by children or tripped over unintentionally.

**DO NOT DRAPE CORD!**

**KEEP AWAY  
FROM CHILDREN!**



## Polarized Plug

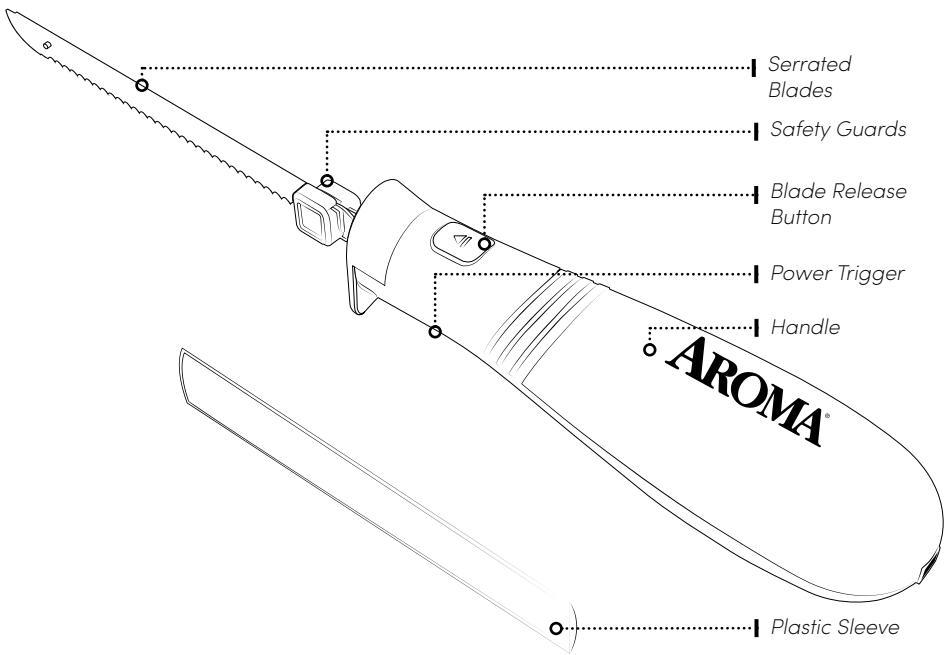
This appliance has a polarized plug (one blade is wider than the other); follow the instructions below:

To reduce the risk of electric shock, this plug is intended to fit into a polarized outlet only one way. If the plug does not fit fully into the outlet, reverse the plug. If it still does not fit, contact a qualified electrician. Do not attempt to modify the plug in any way.

If the supply cord is damaged, it must be replaced by the manufacturer, its service agent or a similarly qualified person in order to avoid a hazard.

# THIS APPLIANCE IS FOR HOUSEHOLD USE ONLY.

# Parts Identification



## Controls/Functions

### **Serrated Blades**

Serrated stainless steel blades are durable and sharp for efficient slicing and carving.

### **Power Trigger**

Located under the handle for ease of operation.

### **Handle**

Ergonomic design provides comfort, versatility, and control when carving both vertically and horizontally.

### **Blade Release Button**

Conveniently located at the front of the handle for easy blade release.

### **Plastic Sleeve**

Plastic sleeve to safely handle and store your serrated stainless steel blades.

# BEFORE FIRST USE

1. **Read all instructions and important safeguards.**
  2. Remove all packaging materials and check that all items have been received in good condition.
  3. Tear up all plastic bags and dispose of them properly as they can pose a risk to children.
  4. Unlock the blades by sliding apart. Always hold blades by the shaft end, behind the safety guard, when handling and cleaning.
  5. Wash the blades in hot soapy water with a soft cloth or sponge.
  6. Rinse thoroughly and dry completely.
  7. Wipe motor housing clean with damp cloth.
- .....

# TO CLEAN

1. Ensure the unit is switched off and the plug removed from the power outlet before removing the blades and/or cleaning.
  2. Unlock the blades by sliding apart. Always hold blades by the shaft end, behind the safety guard, when handling and cleaning.
  3. Wash the blades in hot soapy water with a soft cloth or sponge.
  4. Rinse thoroughly and dry completely.
- .....

## Note:

- Do not use abrasive scouring pads or powders on blades. After cleaning, always store blades in plastic sleeves.
- To clean handle wipe with a soft damp cloth.
- Before storing your knife it is recommended to apply a light coat of cooking oil or similar on the inside of the blade.

# USING YOUR KNIFE

1. Interlock blades together before inserting into the appliance. To assemble blades, grasp shaft ends below the safety guards and slip the rivet on the tip of the other blade. **See Figure 1.** Bring blades together ensuring tips remain together.
2. While blades are safely in the plastic sleeve, hold assembled blades by the safety guards and slide shafts gently into the blade slot until clipped into position. **See Figure 2.**
3. Insert the plug into a 120V AC power outlet and ensure the cord is well away from the blades. Holding the knife with one hand, slide and press the double movement power trigger positioned under the handle to activate the motor. Releasing the switch will automatically stop the motor.
4. When slicing is completed, release the trigger to turn the power off and unplug the electric knife. Hold the **Blade Release Button**, hold the blades by the safety guards with the cutting edge facing downward and carefully pull the blades out of the slots.  
.....

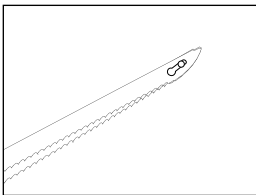


Figure 1.

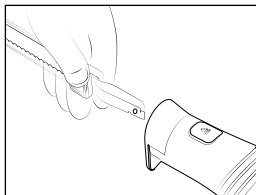


Figure 2.

## Note:

- Always use both blades when using the Electric Knife.



## Caution:

- Only when blades are inserted should the cord be connected to the power outlet.
- Avoid contact with moving parts. Keep hands, hair, clothing and other utensils away from moving blades during operation to prevent personal injury and/or damage to the knife.
- **The blades are sharp! Handle with extreme care. We recommend using the plastic sleeve provided when handling the blades. Do not fit or remove blades while the knife is connected to the power outlet. Do not allow children to operate the appliance.**

# Slicing Tips

1. Always place food to be sliced on a wooden or plastic cutting board.
  2. Do not slice food on glass; metal or counter top surface, as scratching may occur.
  3. Guide blades through food.
  4. A sawing action is not necessary.
  5. Do not force blades through food.
  6. To maintain the sharpness of blades, do not cut through bones, fruit pits or stones, or any other hard substances.
  7. For best results when carving meat and chicken, allow cooked meat to stand for 10-15 minutes before slicing. This allows the juices to set and makes carving easier and neater.
  8. Before carving meat or chicken, remove skewers.
  9. If desired, string may be left around the meat while carving.
  10. The use of a carving fork to steady the meat assists in carving straight, even slices.
  11. Do not attempt to sharpen blades.
  12. We recommend when slicing foods like bread, a light coating of cooking oil, margarine or similar, on the inside of the blades will reduce the friction.
- .....







# LIMITED WARRANTY

---

Aroma Housewares Company warrants its products against defects in material and workmanship for one year from provable date of purchase in the United States.

Within this warranty period, Aroma Housewares Company will repair or replace, at its discretion, defective parts at no charge, provided the product is returned, freight prepaid with proof of purchase and U.S. \$15.00 for shipping and handling charges payable to Aroma Housewares Company. Before returning an item, please call the toll free number below for a return authorization number. Allow 2-4 weeks for return shipping.

This warranty does not apply if the warranty period expired; the product has been modified by any unauthorized service center or personnel; the defect was subject to abuse, improper use not conforming to product manual instructions, or environmental conditions more severe than those specified in the manual and specification, neglect of the owner or improper installation; the defect was subject to Force Majeure such as flood, lightning, earthquake, other natural calamities, war, vandalism, theft, brownouts or sags (damage due to low voltage disturbances).

This warranty gives you specific legal rights, which may vary from state to state, and does not cover areas outside of the United States.  
.....

# SERVICE & SUPPORT

---

In the event of a warranty claim, or if service is required for this product, please contact Aroma® customer service toll-free at:

**1-800-276-6286**

M-F, 8:30am-4:30pm, Pacific Time

Or we can be reached online at:

**CustomerService@AromaCo.com**

For your records, we recommend stapling your sales receipt to this page along with a written record of the following:

- Date of Purchase:
- Place of Purchase:  
.....

Aroma Housewares Company  
6469 Flanders Drive, San Diego, CA 92121, U.S.A.  
**1-800-276-6286 | [www.AromaCo.com](http://www.AromaCo.com)**  
M-F, 8:30am – 4:30pm, Pacific Time

## Note:

- Proof of purchase is required for all warranty claims.



To Enhance and Enrich Lives.



[www.AromaCo.com](http://www.AromaCo.com)