

AROMA®



instruction manual

AMX-001

Collapsible Mixer
Rechargeable · USB Powered

Questions or concerns about your Aroma product?

www.AromaCo.com/Support

1-800-276-6286

**DISCOVER
more of our
products!**



Multicookers/
Rice Cookers



Pressure Cookers



Water Kettles



Indoor Grills



Induction Cooktops

AROMA®

To Enhance and Enrich Lives.

Here at Aroma we strive to make a difference—to design and distribute products that enhance and enrich people's lives.

Aroma offers an array of exceptional products to make cooking simple and satisfying. Discover other countertop appliances and cookware from our current product lineup to complement your kitchen.

Stay connected for more recipe ideas and monthly giveaways!



www.AromaTestKitchen.com



[/AromaHousewares](https://www.instagram.com/AromaHousewares)



Published By:

Aroma Housewares Co. | 6469 Flanders Drive, San Diego, CA 92121, U.S.A.

1-800-276-6286 | www.AromaCo.com

©2018 Aroma Housewares Company | All rights reserved.



IMPORTANT SAFEGUARDS

Basic safety precautions should always be followed when using electrical appliances, including the following:

- 1. Important: Read all instructions carefully before first use.**
2. To protect against fire, electrical shock, and injury to persons, do not put USB cord or base in water or other liquid. See instructions for cleaning.
3. Close supervision is necessary when any appliance is used near children.
4. Unplug USB cord when charging is complete or before putting on or taking off parts, and before cleaning.
5. Avoid any contact with blades or movable parts.
6. Do not charge any appliance with a damaged USB cord, after appliance malfunctions, or is damaged in any manner. Contact Aroma® customer service for information on examination, repair or electrical or mechanical adjustment.
7. The use of accessory attachments not recommended by Aroma® may result in fire, electrical shock or injury.
8. Do not let USB cord hang over edge of table or counter, or touch hot surfaces.
9. Keep hands and utensils out of the mixing capsule while mixing to reduce the risk of injury to persons or damage to the mixer.
10. Blades are sharp; handle carefully—especially when cleaning inside the mixing capsule.
11. Do not use a broken, chipped, or torn mixing capsule.
12. Do not blend hot liquids.
13. Do not use appliance for anything other than its intended purpose.
14. If the blades lock and do not move, it may cause damage to the motor. Do not use. Contact Aroma® customer service for examination, repair, or adjustment.
15. Do not place mixing capsule in the freezer when filled with food or liquid. This will freeze and damage the blades, capsule, and motor.
16. This appliance is for household use only.
17. Use only on a level, dry and heat-resistant surface.
18. This is not a toy.

SAVE THESE INSTRUCTIONS

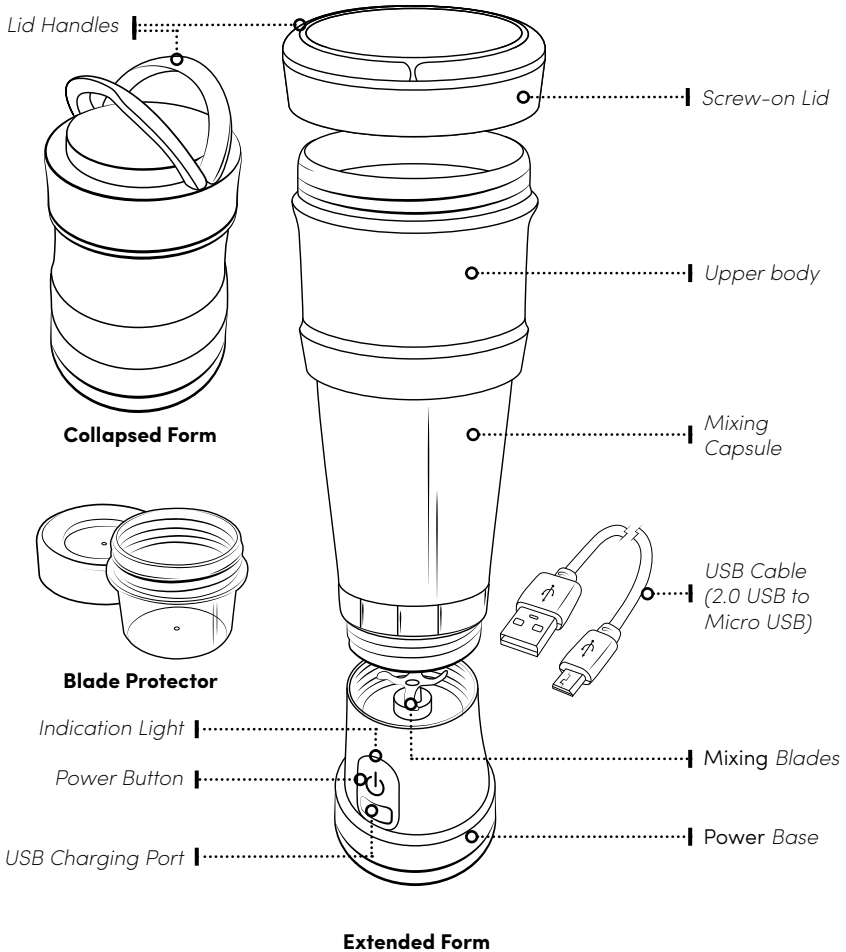


IMPORTANT SAFEGUARDS

1. Use a good and approved USB Wall Charger or USB charging port on a PC to charge the mixer.
2. Never use a damaged USB cable or charger to charge the mixer.
3. For faster charging, it is recommended to use a USB Wall Charger with 5V 1~2A output.
4. To extend the life of the rechargeable battery do not keep mixer plugged in once charging is complete.
5. During cleaning, be careful not to allow any water to enter the USB Charging Port on the Power Base.

**THIS APPLIANCE IS FOR
HOUSEHOLD USE ONLY.**

Parts Identification



Controls/Functions

Mixing Blades

Durable blades designed for mixing.

Power (⏻) Button

Turns the mixer ON and OFF. (Press Twice to turn ON, once to turn OFF)

Lid Handles

Easily transport your mixer wherever you go.

USB Port

Conveniently charge your mixer via various USB power sources.

BEFORE FIRST USE

1. **Read all instructions and important safeguards.**
2. Remove all packaging materials and check that all items have been received in good condition.
3. Tear up all plastic bags and dispose of them properly as they can pose a risk to children.
4. Wash the expanded mixing capsule and lid in hot soapy water with a soft cloth or sponge.
5. Rinse thoroughly and dry completely.
6. Wipe the base and the blades with a damp cloth, making sure to not get any water inside the USB charging port. If needed, put a little amount of warm soapy water in the mixing blade section of the base. Rinse and dry, but **DO NOT** allow any water to enter the USB charging port.
.....

TO CLEAN

1. Ensure the unit is switched off and the USB port is closed.
2. Wash the expanded mixing capsule and lid in hot soapy water with a soft cloth or sponge.
3. Rinse thoroughly and dry completely.
4. Wipe the base and the blades with a damp cloth, making sure to not get any water inside the USB charging port. If needed, put a little amount of warm soapy water in the mixing blade section of the base. Rinse and dry, but **DO NOT** allow any water to enter the USB charging port.
5. Place Blade Protector over blades when not in use.
.....



Caution:

Do not immerse the base of the mixer in water.

Do not open the lid of the mixer when it is mixing.

The blades are sharp! Handle with extreme care. Do not allow children to operate the appliance.

Note:

- To avoid damaging unit, use only soft or easy-to-mix ingredients. Things such as frozen berries or ice may damage the motor and blades.
- To expand the mixer to its full size easier, remove the lid. This will prevent a vacuum from forming that makes expanding difficult.
- Do not fill past the top silicone section of the mixing capsule.

CHARGING YOUR MIXER

1. Remove the lid and pull open your mixer to fully expand it.
2. Plug the 2.0 USB end (larger side of the cable) into the proper power source. This can be a USB wall charger, computer, etc.
3. Carefully remove the rubber cover from the charging port on the mixer. Make sure it does not break off, as it protects the charging port from liquid.
4. Plug the micro USB end (the smaller side of the cable) into the charging port of the mixer.
5. The light will illuminate red to indicate it is charging.
6. Once fully charged, the light will change to blue.
7. Unplug the power cord from the USB charging port and power source.
8. Replace the rubber cover to the charging port. Your mixer is now ready to use.
.....

USING YOUR MIXER

1. Remove the lid and pull open your mixer to fully expand it.
2. Add your desired ingredients. Do not add hard or frozen ingredients, as they may damage the unit and blades. Make sure to add at least 1/2 cup of liquid but below the max line.
3. Screw the lid back on the mixer; make sure it is fully sealed.
4. Quickly press (⏻) twice. Allow to mix until your beverage is blended. Each mixing cycle lasts about 40 seconds. To stop before end of cycle, press (⏻). If needed, push the power button twice again to mix longer.
5. When the power is off, unscrew the lid and enjoy your beverage.
6. When finished, clean according to instructions on page 6.
.....

Note:

- Mixer must be in its extended form when charging.
- If the mixer is empty, the mixer will stop automatically in a few seconds.
- While charging (with USB cable connected to a charger) mixer will not operate.
- Make sure to add at least 1/2 cup of liquid.
- Do not add hard or frozen ingredients as they may damage the mixer.
- Do not fill past the top silicone section of the mixing capsule.



Caution:

Avoid contact with moving parts. Keep hands, hair, clothing and other utensils away from moving blades during operation to prevent personal injury and/or damage to the blades.

The blades are sharp! Handle with extreme care. Do not allow children to operate the appliance.

RECIPES

Peanut Butter Smoothie

1 cup	spinach, chopped small
½	banana, diced small
1 tbsp	creamy peanut butter
1 tbsp	plain yogurt
¾ cup	almond milk

Add all ingredients to the mixer. Close the lid and run through one mixing cycle. Open the lid and check if it is mixed to your liking. If not, run through the mix cycle once more. Unscrew cap and enjoy.

SERVES 1.
.....

Strawberry Banana

3	medium strawberries, diced small
½	banana, diced small
2 tbsp	plain yogurt
¾ cup	orange juice

Add all ingredients to the mixer. Close the lid and run through one mixing cycle. Open the lid and check if it is mixed to your liking. If not, run through the mix cycle once more. Unscrew cap and enjoy.

SERVES 1.
.....

Note:

- Make sure to add at least 1/2 cup of liquid
- Do not add hard or frozen ingredients as they may damage the mixer
- Do not fill past the top silicone section of the mixing capsule

LIMITED WARRANTY

Aroma Housewares Company warrants its products against defects in material and workmanship for one year from provable date of purchase in the United States.

Within this warranty period, Aroma Housewares Company will repair or replace, at its discretion, defective parts at no charge, provided the product is returned, freight prepaid with proof of purchase and U.S. \$15.00 for shipping and handling charges payable to Aroma Housewares Company. Before returning an item, please call the toll free number below for a return authorization number. Allow 2-4 weeks for return shipping.

This warranty does not apply if the warranty period expired; the product has been modified by any unauthorized service center or personnel; the defect was subject to abuse, improper use not conforming to product manual instructions, or environmental conditions more severe than those specified in the manual and specification, neglect of the owner or improper installation; the defect was subject to Force Majeure such as flood, lightning, earthquake, other natural calamities, war, vandalism, theft, brownouts or sags (damage due to low voltage disturbances).

This warranty gives you specific legal rights, which may vary from state to state, and does not cover areas outside of the United States.

.....

SERVICE & SUPPORT

In the event of a warranty claim, or if service is required for this product, please contact Aroma® customer service toll-free at:

1-800-276-6286

M-F, 8:30am-4:30pm, Pacific Time

Or we can be reached online at:

CustomerService@AromaCo.com

For your records, we recommend stapling your sales receipt to this page along with a written record of the following:

· Date of Purchase:

· Place of Purchase:

.....

Aroma Housewares Company
6469 Flanders Drive, San Diego, CA 92121, U.S.A.

1-800-276-6286 | www.AromaCo.com

M-F, 8:30am – 4:30pm, Pacific Time

Note:

· Proof of purchase is required for all warranty claims.



To Enhance and Enrich Lives.



www.AromaCo.com