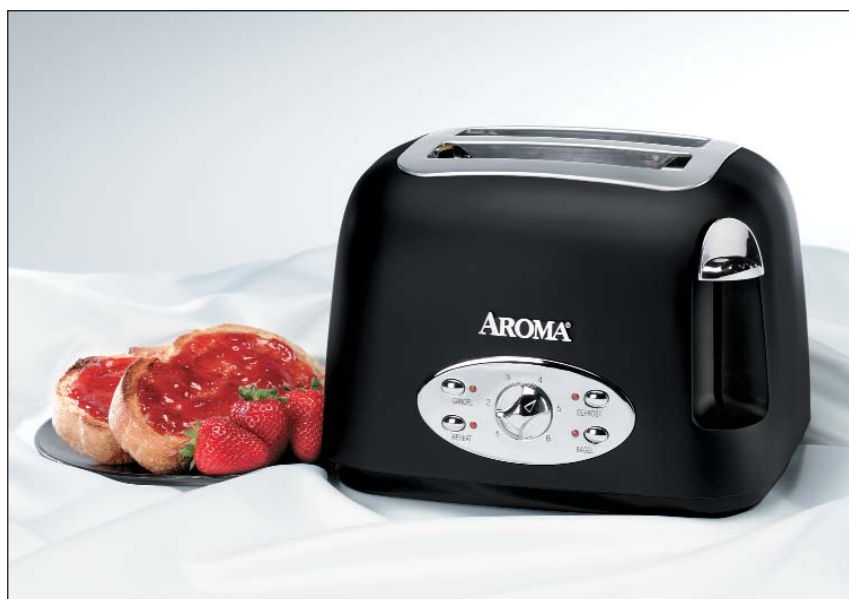


AROMA®

2-Slice Toaster



Instruction Manual

Model ATS-272MB

Congratulations! Your **AROMA** 2-slice toaster will be an attractive addition to your home, while delivering superior quality to your family and friends.

Please read the following instructions carefully before your first use.



Published By:

Aroma Housewares Co.
6469 Flanders Drive
San Diego, CA 92121
U.S.A.
1-800-276-6286
www.aromaco.com

© 2005 Aroma Housewares Company All rights reserved.

IMPORTANT SAFEGUARDS

Basic safety precautions should always be followed when using electrical appliances, including the following:

1. Read all instructions before using the appliance.
2. Do not touch hot surfaces. Use handles or knobs. Metal surfaces become extremely hot.
3. To prevent against electrical hazards, do not immerse cord, plug or toaster in water or other liquid. See instructions for cleaning.
4. Close supervision is necessary when any appliance is used by or near children.
5. Always unplug appliance from outlet when not in use and before cleaning. Allow to cool before cleaning and handling.
6. Do not operate any appliance with a damaged cord or plug, Do not use after appliance malfunctions, is dropped or damaged in any manner. Return the appliance to an authorized service facility for examination, repair or electrical/ mechanical adjustment.
7. The use of accessory attachments not approved by the appliance manufacturer is not recommended and may cause injuries.
8. Do not use outdoors.
9. Do not let cord hang over edge of table or counter or touch hot surfaces.
10. Do not place toaster on or near a hot gas or electric burner or a heated oven.
11. To disconnect, grasp plug and remove from outlet. Never unplug by pulling the cord.
12. Do not use toaster for other than intended use.
13. Oversized foods, foil packages or utensils must not be inserted in the toaster as they present a risk of fire or electric shock.
14. A fire may occur if toasters are covered or touching flammable material including curtains, draperies and walls during operation.
15. Do not attempt to dislodge food when the toaster is plugged into electrical outlet.
16. To avoid possibility of fire, do not leave toaster unattended during use.
17. Clean out accumulated crumbs frequently to avoid risk of fire or toaster malfunction. Do not use foods that will drip coatings or fillings when heated. Such accumulations inside the toaster create unsanitary conditions and the possibility of fire or toaster malfunction. Unplug when not in use and before cleaning.

SAVE THESE INSTRUCTIONS

SHORT CORD INSTRUCTIONS

1. A short power-supply cord is provided to reduce risk resulting from becoming entangled in or tripping over a longer cord.
2. Longer extension cords are available and may be used if care is exercised.
3. If a longer extension cord is used:
 - a. The marked electrical rating of the extension cord should be at least as great as the electrical rating of the appliance.
 - b. The longer cord should be arranged so that it will not drape over the counter top or tabletop where it can be pulled by children or tripped over unintentionally.

POLARIZED PLUG

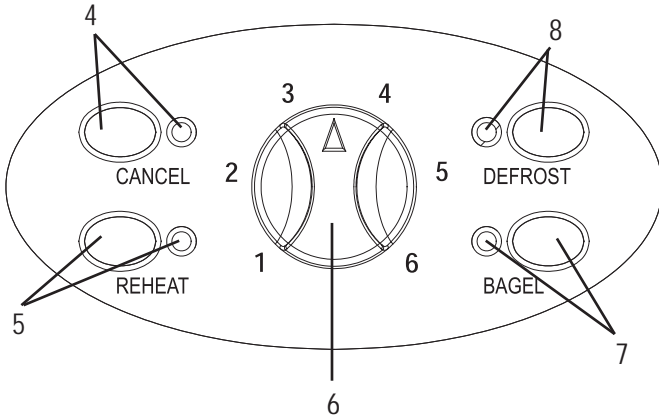
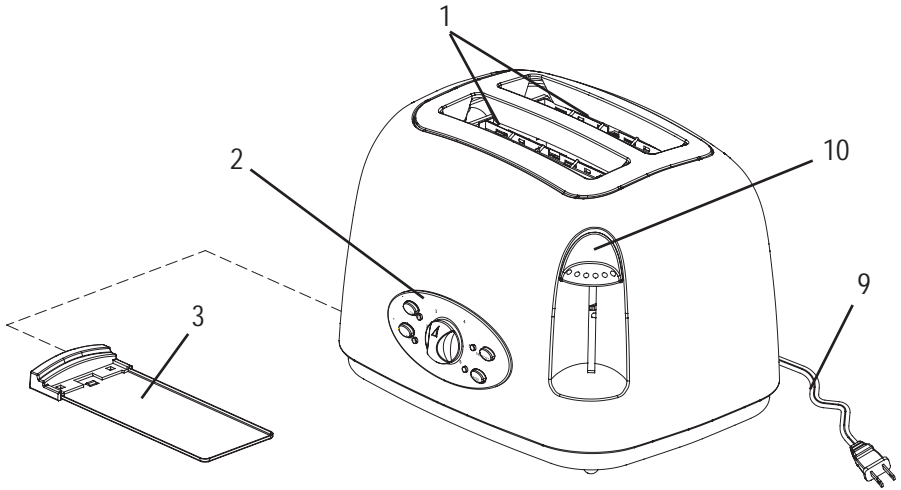
This appliance has a **polarized plug** (one blade is wider than the other); follow the instructions below:

To reduce the risk of electric shock, this plug is intended to fit into a polarized outlet only one way. If plug does not fit fully into the outlet, reverse the plug. If it still does not fit, contact a qualified electrician. Do not attempt to modify the plug in any way.



This appliance is for household use only.

PARTS IDENTIFICATION



- | | |
|--|---|
| 1. Self Centering Bread Slots | 6. Browning Control Knob |
| 2. Control Panel | 7. Bagel Function and Indicator Light |
| 3. Removable Crumb Tray | 8. Defrost Function and Indicator Light |
| 4. Cancel Function and Indicator Light | 9. Power Cord |
| 5. Reheat Function and Indicator Light | 10. Bread Carriage Lever |

HOW TO USE

1. Before first use, check inside toaster slots for packaging and remove anything found.
2. For first time use, run toaster empty through a full cycle to allow the new elements to preheat and burn off any dust that may have accumulated during assembly.
3. Make sure the crumb tray is in place and the bread carriage lever is in the UP position.
4. Place toaster on flat, stable surface away from the edge and at least 3 inches away from wall or back of counter.
5. Unwind power cord and plug into nearby outlet.
6. Make sure the bread carriage is in the up position and insert slices of bread.
7. Turn the browning control knob to desired position. The higher the number (1-6), the darker the toast.
8. Press the bread carriage lever down until it locks into position.
9. When the toasting cycle is completed, the toast is automatically raised. To terminate the toasting cycle before it is completed, simply press the Cancel button.
10. After use, unplug the toaster from the electrical outlet.
11. Never wrap cord around outside of toaster. Cord should be stored on the storage cleats under the toaster.

Toasting Suggestions

-Toasting is a combination of drying and cooking the bread. Moisture levels differ from one type of bread to the other, which can result in varying toasting times.

1. For slightly dry bread, use a lower setting (1-3) on the browning control knob.
2. For fresh bread or whole wheat, use a higher setting (4-6) on the browning control knob.
3. Breads with very uneven surfaces, such as English muffins, will require a higher setting (4-6) on the browning control knob.
4. Thickly cut pieces of bread, such as bagels, will take longer to toast since more moisture must be evaporated from the bread before toasting can occur.
5. Very thick pieces may require two cycles.
6. When toasting breads containing fruit, remove all loose pieces before placing in the toaster. This will prevent loose items from falling into the toaster or sticking to the guard wire.
7. Before toasting bagels, slice into two equal halves, place them in the toaster with the cut sides facing each other and select the Bagel function. The bagel function only uses the heating wires in the middle of the unit.
8. For toasting a single slice, use a lower setting (1-3) on the browning control knob.
9. For frozen items, such as pancakes, bagels and waffles, use the Defrost function.
10. Use caution when toasting pastries as filling can become very hot before the surface of the pastry becomes brown.

HOW TO USE

Defrost Function

1. Insert slices of bread into the bread slots.
2. Turn the browning control knob onto the desired position:
 - Setting 1-2: for refrigerated breads and thinner frozen items such as frozen pancakes.
 - Setting 3-4: for pastries, frozen waffles, thin French toast and refrigerated bagels.
 - Setting 5-6: for thicker frozen items such as bagels, hand cut bread and thick French toast.
3. Press the bread carriage lever down until it locks into position.
4. Press the Defrost button.
5. When the toasting cycle is completed, the bread carriage will raise the toast up. To terminate the cycle before it is completed, simply press the Cancel button.

Reheat Function

1. Insert slices of bread into the bread slots.
2. Press the bread carriage lever down until it locks into position.
3. Press the Reheat button.
4. When the toasting cycle is completed the bread carriage will raise the toast up.
5. If you wish to stop the toasting function, press the Cancel button.

Bagel Function

Note: The bagel function only uses the heating wires in the middle of the unit.

1. Cut the bagel into two equal halves.
2. Insert the bagel halves into the slots with the cut sides facing each other.
3. Press the bread carriage level down until it locks into position.
4. Press the Bagel button.
5. When the toasting cycle is completed the bread carriage will raise the toast up.
6. If you wish to stop the toasting function, press the Cancel button.

HOW TO CLEAN

1. Always unplug unit and allow to cool before cleaning.
2. Do not use abrasive cleansers. Simply wipe the exterior with a clean damp cloth and dry thoroughly. If a cleaning solution is used, apply to a clean cloth and not directly onto the toaster.
3. To remove crumbs, slide out the crumb tray and discard crumbs. Wipe clean and replace. Never operate the toaster without the crumb tray in place.
4. To remove bread caught in the toaster, unplug from outlet, turn upside down and shake gently. Never insert any hard or sharp object into toaster.

LIMITED WARRANTY

Aroma Housewares Company warrants this product free from defects in material and workmanship for one year from provable date of purchase in the continental United States.

Within this warranty period, Aroma Housewares Company will repair or replace, at its option, defective parts at no charge, provided the product is returned, freight prepaid with proof of purchase and U.S. \$8.00 for shipping and handling charges payable to Aroma Housewares Company. Before returning an item, please call the toll free number below for return authorization number. Allow 2-4 weeks for return shipping.

This warranty does not cover improper installation, misuse, abuse or neglect on the part of the owner. Warranty is also invalid in any case that the product is taken apart or serviced by an unauthorized service station.

This warranty gives you specific legal rights which may vary from state to state and does not cover areas outside the United States.

AROMA HOUSEWARES COMPANY
6469 Flanders Drive
San Diego, California 92121
1-800-276-6286
M-F, 8:30 AM - 5:00 PM, Pacific Time
Website: www.aromaco.com