



INSTRUCTION AND WARRANTY BOOK



Healthy Appliance:

HydroPur™ unit uses water filtration to trap nearly 100% of all dirt. Dust is trapped in water, instead of a paper bag, which will help eliminate the breeding ground for bacteria and air pollutants. Returns clean, fresh, water-rinsed air into your home.

HEPA filter helps remove most bacteria, allergens, and pollens. Helps in the control of dust mites and their feces which are related to allergies and asthma-related episodes.

Aromatherapy leaves your home smelling fresh and clean when using your favorite scents.

Designed especially for hard surface floors:

A great solution for your hard surface floor cleaning needs. Apply your favorite cleaning product and pick up dirt-laden water. Eliminate the need for mops and buckets.

AVC-2001

Bagless HydroPur™ Filtration System

- **Especially Designed for All Hard Surface Floors** •

Warranty and service location information is located on the inside back cover.



Congratulations

Welcome to the growing number of families using Clean Air Technology for their vacuum filtration method. We believe our innovative series of appliances for today's healthy home will provide truly clean air, a fresh ambiance and improved comfort. Your new appliance is designed to enhance your well-being with a Healthier Home Environment.

APPLIANCES FOR TODAY'S HEALTHY HOME

Table of Contents

Important Safety Information	1-2
Features and Benefits	3-4
Parts Identification	5-6
Assembly and Operating Instructions	7-8
User Maintenance	9
Troubleshooting	10
Warranty Information	12

Important Safety Information

READ ALL INSTRUCTIONS BEFORE USING YOUR VACUUM CLEANER.

USE ONLY AS DIRECTED.

WARNING - To reduce the risk of fire, electric shock, or injury:

1. Do not leave appliance unattended when plugged in. Unplug from outlet when not in use and before servicing.
2. For household use only.
3. Do not expose to rain. Store indoors.
4. Do not use outdoors.
5. Do not put any object into openings. Do not use with any opening blocked; keep free of dust, lint, hair and anything that may reduce air flow.
6. Do not use without water inside the water tank.
7. Do not allow the appliance to be used as a toy. Young children should be supervised to ensure that they do not play with the appliance.
8. Use only as described in this users manual. Use only with the manufacturer's attachments included with this unit.
9. Do not operate the appliance if cord or plug appears to be damaged or after the appliance malfunctions. Repair of this appliance must be performed by authorized service technician.
10. Do not pull, lift or carry by the power cord. Do not use the cord as a handle, close a door on the cord, or pull the cord around or against sharp edges or corners.
11. Do not run the appliance over power cord. Keep the cord away from heated surfaces, as this may damage the cord.
12. Turn off the power before unplugging unit from outlet. Do not disconnect by pulling the cord.
13. Do not handle the plug or appliance with wet hands or bare feet.
14. Do not use to pick up flammable or combustible liquids, such as gasoline, or use in areas where they may be present.
15. Do not pick up anything that is burning or smoking, such as cigarettes, matches or hot ashes.
16. Keep hair, loose clothing, fingers, and all parts of the body away from openings and moving parts.
17. Special care must be taken when using the appliance to clean stairs.
18. Do not use appliance for other than its intended use.
19. Do not overfill the water tank. Note the 'Maximum Level' marking.
20. Check that the main voltage corresponds to the voltage indicated on the rating label.
21. Do not vacuum up soapy liquid or detergents as this causes frothing inside the water tank.
22. Connect to a properly grounded outlet only. See grounding instructions.
23. Do not turn unit on its side when in use.

Important Safety Information

24. Before filling Water Reservoir, turn off and unplug appliance to avoid electric shock and/or injury.
25. Only water should be used in unit. Other cleaning agents may cause damage to unit and cause injuries.
26. Always empty and clean Water Reservoir before storing. Let air dry or towel dry before storing.
27. Never pick up sharp objects such as coins, pins, nails, etc. Avoid picking up large items to prevent clogging of hose.

SAVE THESE INSTRUCTIONS!

Grounding Instructions

This appliance must be grounded. If it should malfunction or breakdown, grounding provides a path of least resistance for electric current to reduce the risk of electric shock. This appliance is equipped with a cord having an equipment-grounding plug. The plug must be inserted into an appropriate outlet that is properly installed and grounded in accordance with all local codes and ordinances.

WARNING- Improper connection of the equipment-grounding conductor can result in a risk of electric shock. Check with a qualified electrician or service person if you are in doubt as to whether the outlet is properly grounded. Do not modify the plug provided with the appliance. If it will not fit the outlet, have a proper outlet installed by a qualified electrician.

This appliance is for use on a normal 120-volt circuit and has a grounding attachment plug. Make sure that the appliance is connected to an outlet having the same configuration as the plug. No adapter should be used with this appliance.

Polarized Plug

This appliance has a **polarized plug** (one blade is wider than the other); follow the instructions below: To reduce the risk of electric shock, this plug is intended to fit into a polarized outlet only one way. If the plug does not fit fully into the outlet, reverse the plug. If it still does not fit, contact a qualified electrician. Do not attempt to modify the plug in any way.

THIS UNIT FOR HOUSEHOLD USE ONLY. DO NOT USE OUTDOORS



Features and Benefits



Floor Attachment

This unit is the ideal tool for hard surface floor areas as well as throw rugs. Used at the end of the telescoping wand, it allows you to clean large areas as well as conveniently reach under beds, furniture and hard-to-reach areas. Numerous adjustments to switch between surfaces such as throw rugs and hardwood floors.



Power Brush

Efficiently deep clean carpets, mattresses and furniture. The rotating brush causes a gentle vibration to help extract deeply embedded sand and grit from beneath the surface. By using this unit regularly on your mattress it will help reduce dust and allergen causing materials such as dust mites and their feces contained in your mattress.



Telescoping Wand

Enjoy the convenience of the adjustable extension wand, which will allow you to adjust to many different lengths, for convenient cleaning of hard-to-reach areas such as walls and ceilings. Simple release button allows you to easily adjust length and lock into place for each type of use.

Features and Benefits



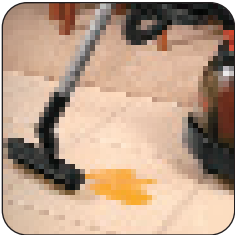
Upholstery Tool

Enjoy this versatile tool, which incorporates a built-in brush that will agitate the surface to help remove hair, and tough dirt stains. This tool is most frequently used attached to the end of the flexible hose for surface cleaning of upholstered furniture. Used on the end of the telescoping wand it is ideal for cleaning draperies.



Crevice Tool with Detachable Brush

Ideally used for those hard-to-reach areas, the crevice tool will make your cleaning job easier. Attached to the end of the flexible hose or the telescoping wand, this tool with the crevice brush in place is used for cleaning radiators, registers and window and door tracks. Remove the brush and use it to clean the crevices in upholstered furniture. The crevice tool is also ideal for cleaning the difficult areas in your vehicle.



Universal Squeegee

A great partner when washing windows and cleaning spills on hard surface floors. The universal squeegee allows you to pick up and retain water and spilled materials in the reservoir, eliminating the need for mops and buckets.



Multi-Purpose Sprayer

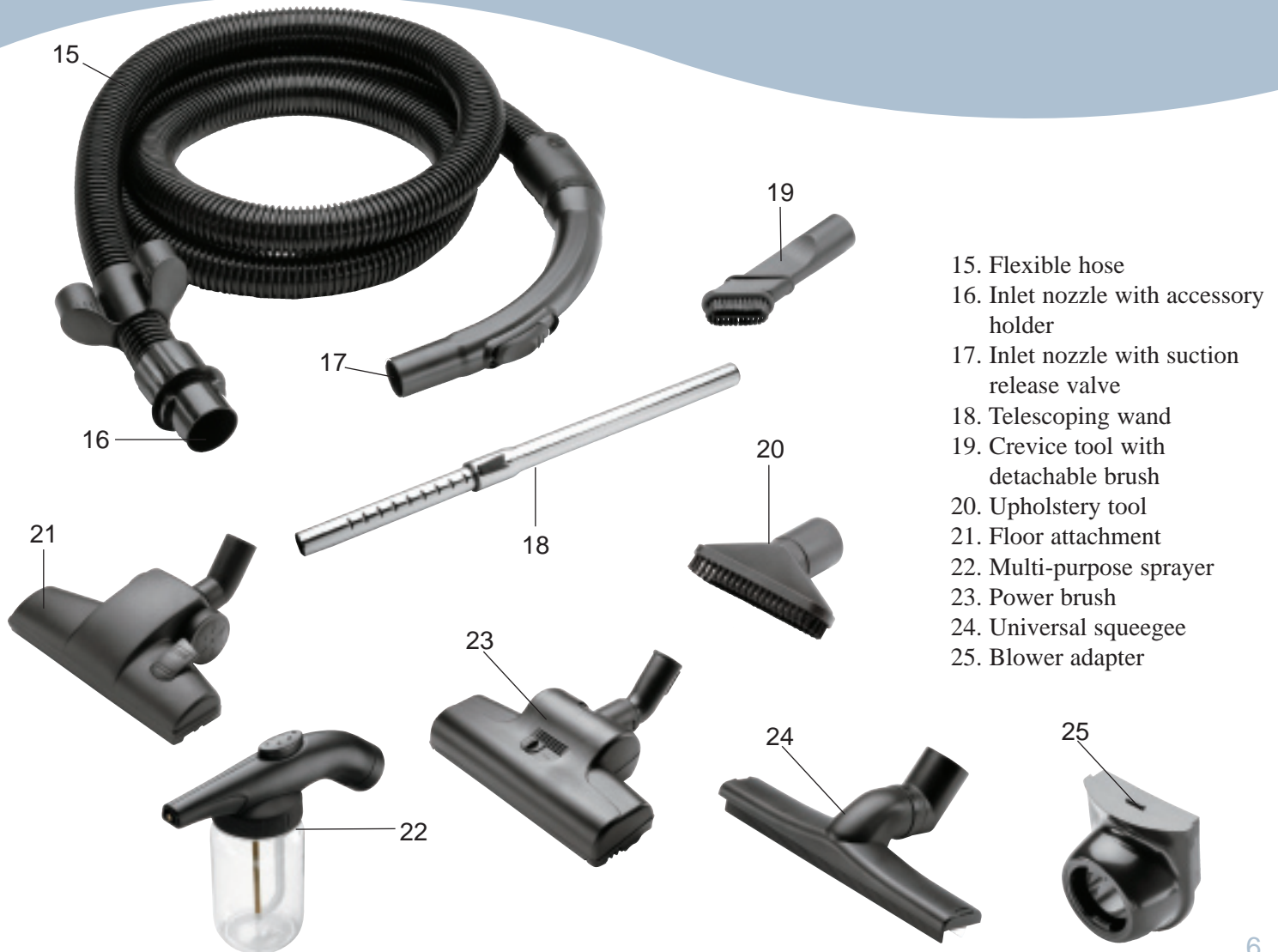
This multi-purpose sprayer can be used for applying clean water to spills before removing them. This will help to dilute sticky spills and make them easier to remove. Used with caution you can mist your household plants with clean clear water.

Know Your HydroPur™ and It's Parts



1. Cradle car locking handle
2. ON/OFF button
3. Suction power control
4. Intake outlet
5. Cord holder
6. Cradle car
7. Motor unit
8. Exhaust outlet
9. Cord
10. Tank handle
11. Removable water tank
12. Removable suction tube
13. Foam filter with safety float
14. HEPA filter

Know Your HydroPur™ and It's Parts



- 15. Flexible hose
- 16. Inlet nozzle with accessory holder
- 17. Inlet nozzle with suction release valve
- 18. Telescoping wand
- 19. Crevice tool with detachable brush
- 20. Upholstery tool
- 21. Floor attachment
- 22. Multi-purpose sprayer
- 23. Power brush
- 24. Universal squeegee
- 25. Blower adapter

Assembly and Operating Instructions

Easy To Assemble

Note: When assembling and preparing unit for use, make sure that the appliance is NOT plugged into the wall outlet.

STEPS:

- Completely lower cradle car locking handle that locks in the motor unit. (fig. 1)
- Remove the motor unit by pulling upward on the motor handle. (fig. 2)
- Remove the water tank by lifting upward on its handle. (fig. 3)
- Fill the water tank with tap water until the water level is between the MIN> and MAX> marking printed on the tank.
Note: To use the vacuum for wet or dry vacuuming, a minimum of 1.8 liters of water should be poured into tank; do not exceed the maximum level of 3.3 liters marked on the tank.
- The suction tube can be removed making it easier to fill the tank. (fig. 4) Be sure it is replaced before locking the motor unit in place.
- Replace the tank on the cradle car, position the motor unit in place and raise the handle that locks the motor unit in place until you hear it click.
- To ready the vacuum for use, insert the inlet nozzle at the end of the flexible hose into the intake outlet and turn clockwise until it snaps into place. (fig. 5) To remove hose, turn it counter clockwise and pull outward.
- Place telescoping wand at end of hose with suction release valve and push it fully into place.
- Finally, attach the desired accessory to be used in cleaning to the end of telescoping wand.

Operating Procedure:

STEPS:

- Plug appliance into electrical wall socket.
- Press the ON/OFF button to switch the unit on.
- Slide the variable speed control to the desired suction power.
- To adjust the amount of suction needed for each cleaning accessory, simply slide the suction release valve to the open or closed position or anywhere in between. (fig. 6)
- Adjust the telescoping wand to desired length by pushing in on the locking button, pulling outward to lengthen or pushing inward to shorten. When you hear it lock into place it is ready to use.

Multi-Purpose Sprayer:

STEPS:

- Remove plastic shield and HEPA filter from exhaust (fig. 7A) and replace with blower adapter. (fig. 7B)
- Remove hose from intake outlet. (fig. 5)
- Insert the inlet nozzle at the end of the flexible hose into the adapter by pushing in and turning clockwise until it locks into place.
- Fill sprayer jar with water and connect to the other end of hose.

Assembly and Operating Instructions



Fig. 1



Fig. 3



Fig. 6



Fig. 2



Fig. 4

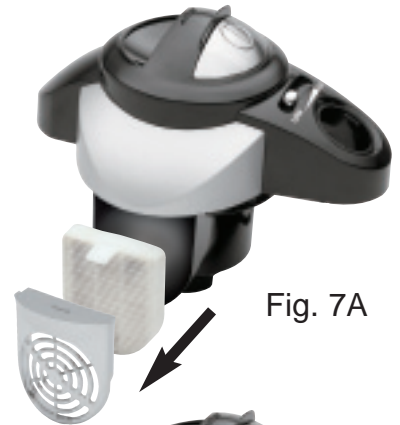


Fig. 7A



Fig. 5

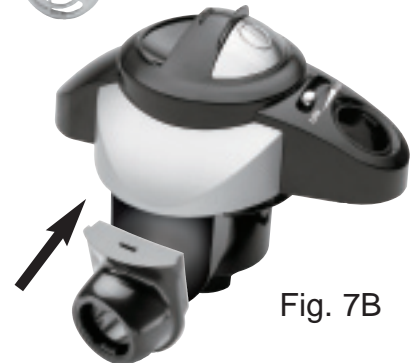


Fig. 7B

User Maintenance Instructions

To replace HEPA filter:

STEP:

To replace the HEPA filter simply remove the grill by pressing the lever and pull out on the plastic cover. Then grasp the HEPA filter and remove by pulling on the tab at top. The HEPA filter must be replaced if dirty in order to maintain maximum cleaning efficiency. Replace with new filter and reposition the grill by pressing it lightly into place. The filter can be purchased at the authorized service center listed on warranty page on back cover. (fig. 8)

To clean water tank

Caution: Always disconnect the cord from the electrical wall outlet before performing any cleaning or maintenance operations.

After the appliance has been used, take out the rubber plug first, then pour away the dirty water and clean the water tank by rinsing. If you used the machine to clean liquid waste other than water, there will be some liquid residue left in the flexible hose and extension wands. To clean inside the hose and wands, empty the water tank completely and then vacuum up about 1 litre of clean water. Repeat as necessary until completely clean. It is recommended to rinse water tank once a month with white vinegar.

After emptying and rinsing the water tank, remove the foam filter, wash it under running water and let dry completely before re-positioning (the filter must be kept dry to prolong its life). Periodically check that the float is free to move. (fig. 9)

Aromatherapy

Add water-based essence to sponge filter to leave your house smelling wonderfully fresh.

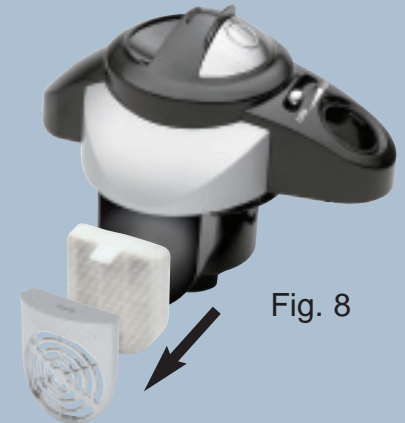


Fig. 8



Fig. 9

Troubleshooting

Problems	Possible Cause	Solution
The unit will not start.	The unit is not plugged in	Plug into electrical outlet
	Household circuit breaker/ ground default has tripped	Reset the circuit breaker - If you need assistance, contact a qualified electrician
Unit turns on, but has little or no suction.	The hose, wand or one of the accessories being used is clogged	Carefully inspect each item and remove blockage
	The variable suction control is set to low	Check suction control and set to “High”
	Suction release valve on hose is open	Close valve completely
	HEPA filter is clogged and not allowing the air to flow freely	Replace old filter with new one
Water leakage is noticed.	The float could be blocked or was not installed correctly	Release float, clean and dry foam filter

Warranty Information

Limited Warranty

Aroma Housewares Company warrants this product free from defects in material and workmanship for 90 days from provable date of purchase in continental United States.

Within this warranty period, Aroma Housewares Company will repair or replace, at its option, defective parts at no charge, provided the product is returned, freight prepaid with proof of purchase and U.S. \$8.00 for shipping and handling charges payable to Aroma Housewares Company. Before returning an item, please call the toll free number below for return authorization number. Allow 2-4 weeks for return shipping.

This warranty does not cover improper installation, misuse, abuse or neglect on the part of the owner. Warranty is also invalid in any case that the product is taken apart or serviced by an unauthorized service station.

This warranty gives you specific legal rights and which may vary from state to state and does not cover areas outside the United States.

AROMA HOUSEWARES COMPANY
6469 Flanders Drive
San Diego, California 92121
1-800-276-6286
M-F, 8:30 AM - 5:00 PM, Pacific Time
Website: www.aromaco.com

CLEANER • FRESHER • HEALTHIER



AIR



HydroPur™
AROMA/sai

The logo features the brand name 'HydroPur' in a bold, black, sans-serif font. Above the letters 'o' and 'u' are two curved, light-colored lines that resemble a stylized water droplet or a wave. Below 'HydroPur' is the text 'AROMA/sai' in a smaller, red, sans-serif font. The background is a light blue gradient with a white curved shape at the top.